



WORX
it's your nature

Installation

Installation	EN	P04
Монтаж	RU	P16
Paigaldamine	ET	P28
Uzstādīšana	LV	P40
Įrengimas	LT	P52

Original Instructions	EN
Перевод оригинальной инструкции	RU
Tõlge algse juhiseid	ET
Sākotnējā apraksta tulkojums	LV
Vertimas originali instrukcija	LT

⚠ WARNING: Read all safety warnings and all instructions. Failure to follow the warnings and instructions may result in electric shock, fire and/or serious injury. Carefully read the instructions for the safe operation of the machine. Save all warnings and instructions for future reference.

1. HOW LANDROID WORKS

In the following section, we would like to help you better understand how Landroid works. Landroid is an autonomous machine, capable of operating on its own. It knows when it needs to go to its charging base, can sense when it is raining, can stop itself if it senses a problem and knows to stop, draw back, and turn around when it bumps into something blocking its path. To prevent an accident, Landroid will also automatically stop its blade disc from rotating if it is lifted off the ground.

1.1 Charges itself



When your Landroid needs to recharge, it will stop mowing and follow the boundary wire in an anti-clockwise direction back to its charging base. Once charging is complete, Landroid will automatically resume mowing or stay in the charging base according to its mowing schedule.

1.2 Border management



Landroid is programmed to mow the grass along the perimeter of your lawn twice a week on Monday and Friday. If you want to change this pre-set, you can modify it via your smartphone or by using the control panel in "Work time-Customize Work time" menus. See detailed instructions at the end of this manual.

1.3 Rain sensor



Landroid is 100% weather proof and happy to be outside. But mowing wet grass does not give you the best finish or result. Landroid is equipped with a rain sensor which detects rain and tells Landroid to stop mowing and go back to its charging base.

1.4 Rain delay time



After a rainfall, Landroid re-starts when the grass is no longer wet. The default Rain Delay time is 180 minutes. You can change the Rain Delay time setting via Landroid App

1.5 In more extreme weather

In case of a lightning storm, protect Landroid by unplugging the charging base, disconnecting the boundary wire, and making sure Landroid is not allowed to charge. In the Winter and especially in case of very cold weather and snow, we recommend you store your Landroid inside. In some countries we offer a Winter servicing of your Landroid so it's ready for the Spring growing season. Contact your dealer or check online for more details.

1.6 No more grass clippings to collect

Landroid's daily mowing produces very short clippings that don't need to be raked. These clippings are a perfect organic nutrient for your lawn. Frequent mowing boosts the density of grass blades and effectively prevents the propagation of weeds.

1.7 Cut to edge

Landroid M and L models have a cut to edge feature. The special offset blade gets as close as possible to the border of your lawn, leaving you little or no trimming to do.

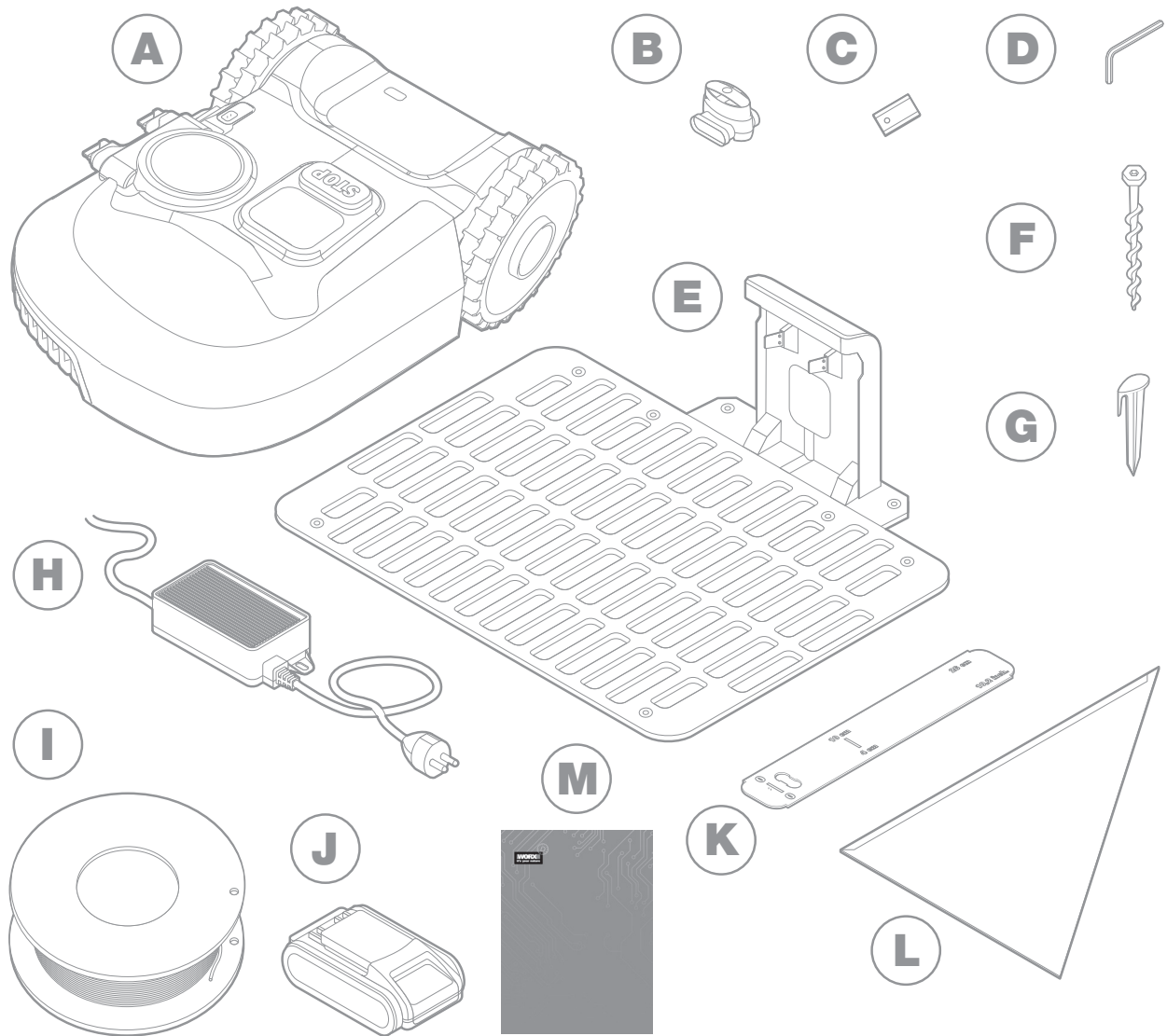
1.8 Cutting Height

Before starting your Landroid for the first time, make sure your grass is no longer than 10cm. If longer, use a regular mower to cut it before operating Landroid. If you want to drastically shorten the height of your grass, it is recommended that you do so progressively, by adjusting the cutting height in steps.

1.9 Security & PIN Protection

To prevent unauthorised people from being able to use it, Landroid is protected by a PIN code that you can easily set up.

WHAT'S IN THE BOX



The picture is only for reference

- A** Worx Landroid

- B** Wire repair connectors

- C** Spare blades kits

- D** Hex key

- E** Charging base

- F** Screws

- G** Wire pegs

- H** Power supply

- I** Boundary wire

- J** 20V battery

- K** Boundary wire distance gauges

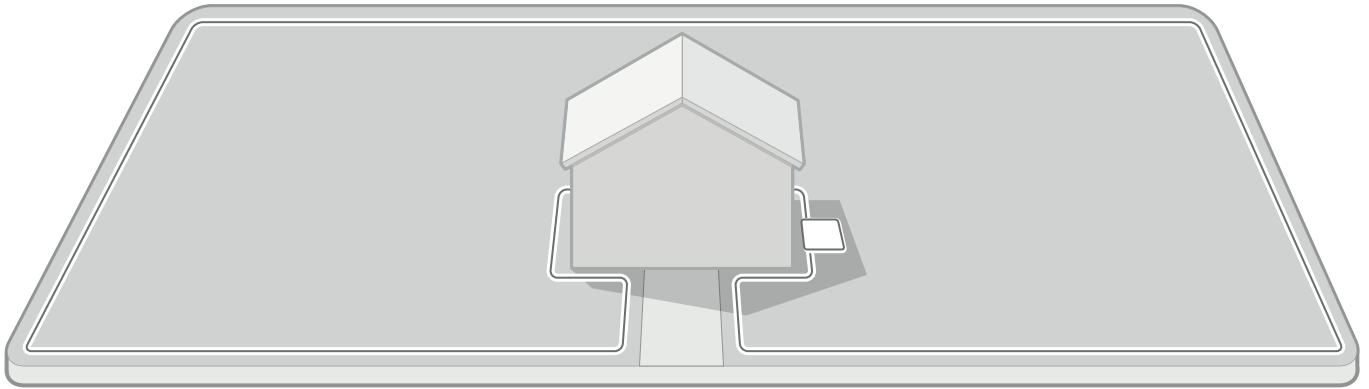
- L** Bertelsen ruler

- M** Manuals

2. INSTALLATION

Installing your Worx Landroid is easier if you carefully follow these instructions. In the end, it is a matter of installing the charging station and laying the boundary wire all around your lawn. In addition to this manual, you can use the Get Started guide that's inside the box and watch the comprehensive video tutorials on our YouTube channel*.

* This information is provided for your convenience but does not replace the instruction manual and the safety instructions that needs to be read and understood.



Patrol your lawn to plan installation

Install the charging station

Lay the boundary wire

Connect charging station to AC

Power up Landroid. Test and get ready to mow

2.1 EVERY MINUTE SPENT IN PLANNING SAVES YOU 10 MINUTES IN EXECUTION

Installing Landroid is even easier if you have made a clear idea of what you need to do. Proper planning will also help you avoid mistakes or having to rework the installation once it's done.

2.1.1 On the surface or buried?

Landroid's boundary wire is designed to stay on the surface of your lawn. Nearly invisible from the first day, it will be engulfed in the soil in a few weeks. If you will want to bury the wire, it is recommended to first peg it down and test the installation is successful by running Landroid over the perimeter. This allows you to easily check everything and, if necessary, change the layout before burying the wire. Bury the wire no more than a few centimetres below ground level, so that the wire ensures good signal.

2.1.2 Plan for the charging station

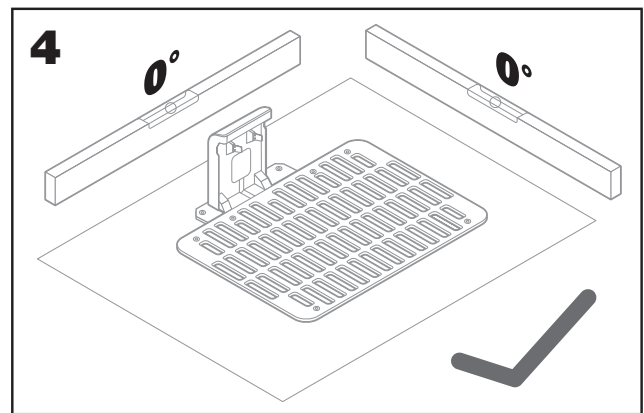
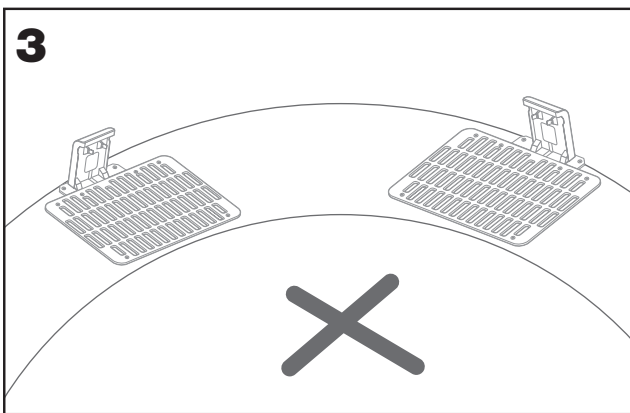
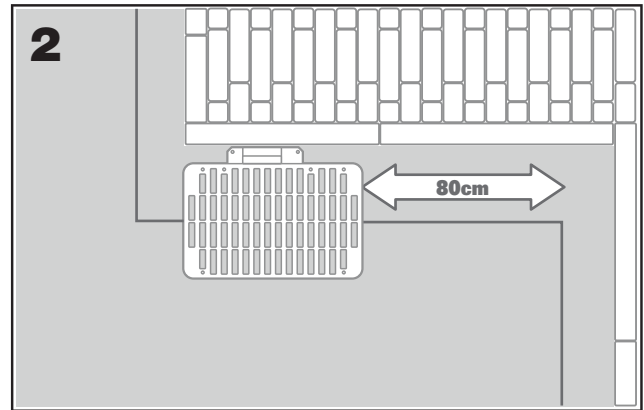
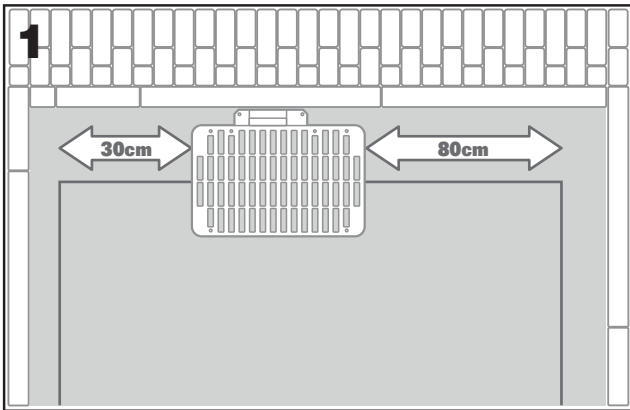
The charging station is where your Landroid goes to have its battery recharged. It's also the parking lot where it rests in between one mowing session and the next.

Locate a proper position for it, bearing in mind:

- A. It needs to be powered, so it should be no more than 10m away from an AC mains outlet
- B. If possible, choose a shaded position as batteries and chargers don't like over-heating
- C. The base needs to sit on flat land to ensure effective docking
- D. Avoid places close to irrigation sprinklers

You can place the charging station on your lawn or on a hard surface like a walkway, provided that the lawn and the hard surface are at the same height (no steps).

To enter the station, Landroid needs at least 80cm straight path in front. On the exit side, it needs at least 30cm straight path before a left turn (fig. 1). If the turn is to the right, there is no need for a straight path (fig. 2).

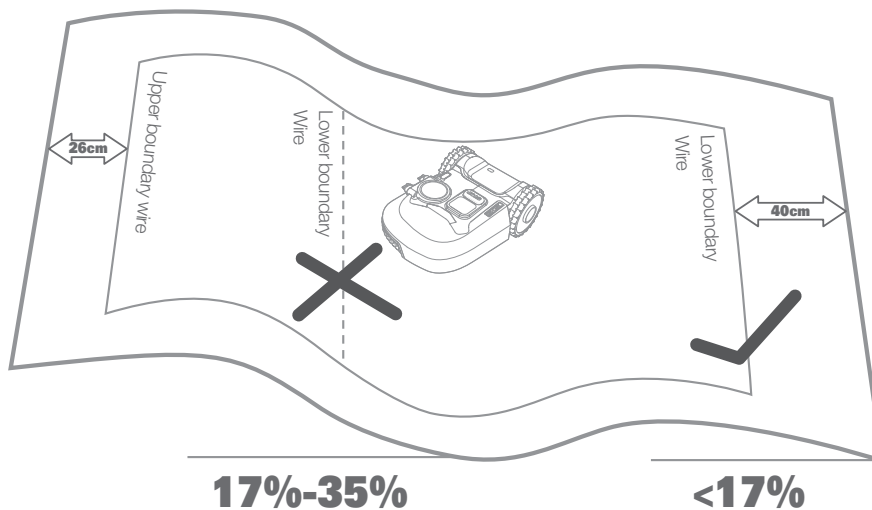


2.1.3. Charging station checklist:

- A. within reach of AC mains
- B. in shade
- C. straight path on entrance; straight path on exit if necessary
- D. flat land
- E. no irrigation sprinklers nearby

2.1.4 .Placement of boundary wire on slopes

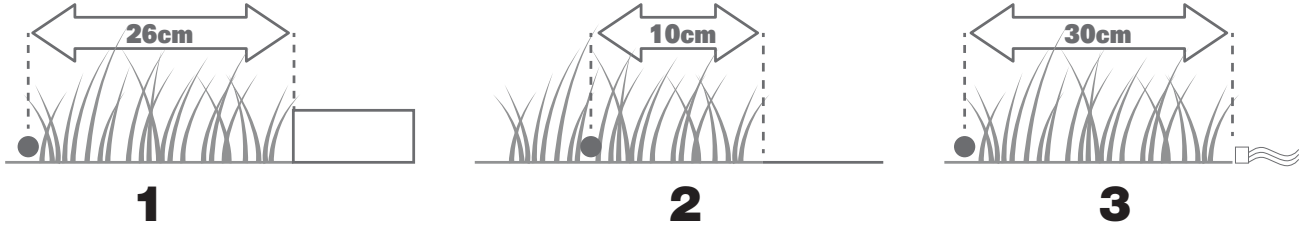
The upper boundary wire should NOT be placed on slopes steeper than 35% (20°). The lower boundary wire should NOT be placed on slopes steeper than 17% (10°), and it should be placed at least 40cm away from any obstacle when positioned on a slope that is 17%.



2.1.5 Plan for the boundary wire

The wire has to be placed at a certain distance from the edge of the lawn. This distance changes depending on what's on the other side of the edge. Different parts of your lawn may border different scenarios:

- A. If the edge of the lawn borders a step: keep the wire 26cm from the edge. (figure 1)
- B. If the edge of the lawn borders a path at the same height: keep the wire 10cm from the edge. (figure 2)
- C. If the edge of the lawn borders a pool: keep the wire at least 30cm from the edge. (figure 3)



If a side of your lawn borders a neighbor's lawn with a robotic mower in use, lay your wire at least 1m apart from your neighbor's wire to avoid possible interference.

2.2 PATROL YOUR LAWN

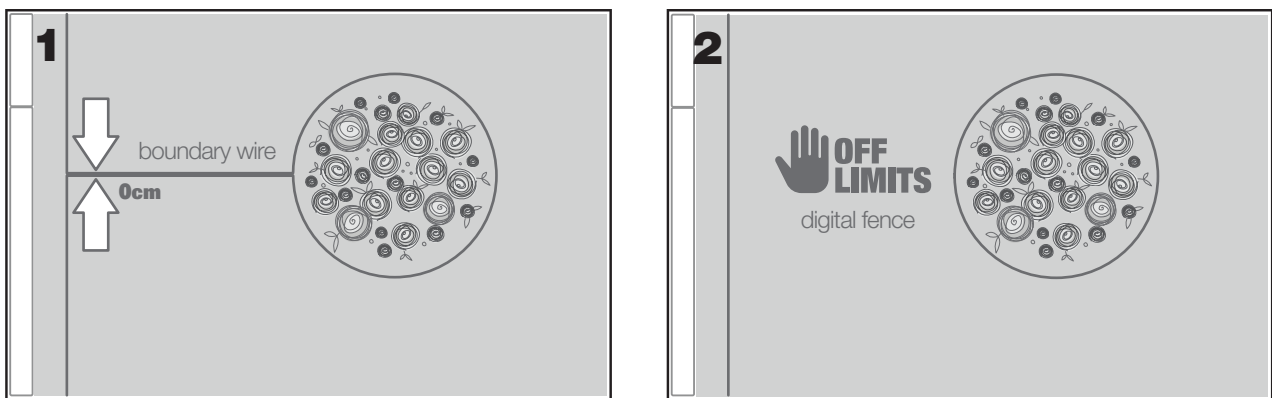
Landroid is designed to manage the most complex of lawns. Carry out a visual inspection of your lawn so you are prepared for a trouble-free installation of the boundary wire.

2.2.1 Identify forbidden areas

You don't want your robot mower to mow flowers, dive into a water feature, or shred tree roots that emerge from the ground. Locate these areas and surround them with boundary wire to prevent Landroid from accessing them.

The boundary wire is a single loop connected on both ends to the charging station, so you will have to depart with the wire from the border, surround the area you want to protect, then take the wire back to the border as illustrated here in fig. 1. If areas to be surrounded are far away from the border of your lawn, or if you have several areas and tree roots to protect, this traditional method is time consuming.

A great alternative is to purchase Landroid's Off-Limits option. With this, you simply surround forbidden areas with the Off-Limits digital fence, which does not need to be connected to the boundary loop (fig. 2). The Off-Limits digital fence is also great to protect seasonal equipment (e.g. a trampoline) or for protecting new changes to the layout of your lawn without having to rework the boundary wire.



2.2.2 Identify obstacles

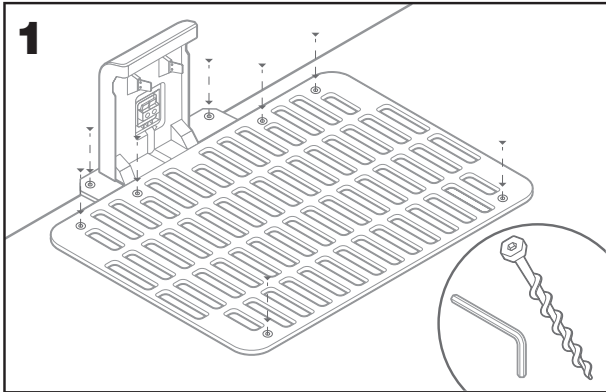
Landroid's bump sensor can manage solid obstacles such as trees, furniture and the like, which don't need to be surrounded by wire. If your lawn has several obstacles and trees close to each other, we recommend you to purchase the Landroid ACS option, an intelligent ultrasonic auto-pilot that makes your Landroid steer around obstacles instead of bouncing into them.

2.3 NOW ROLL YOUR SLEEVES UP. WHEN IT'S DONE IT'S DONE!

Now that you have planned the installation in every detail, you are ready to take action. Before starting, you may want to use your old mower for the last time to clean up your lawn and make the installation easier.

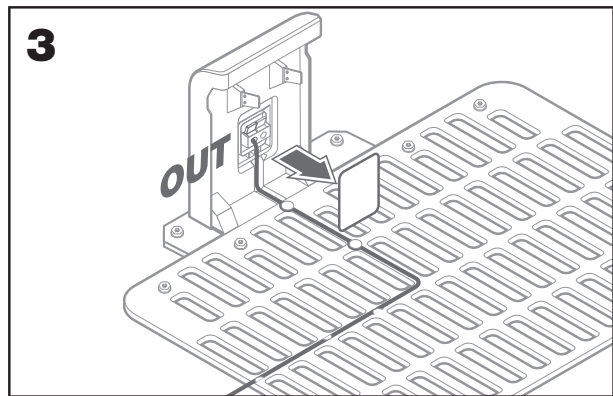
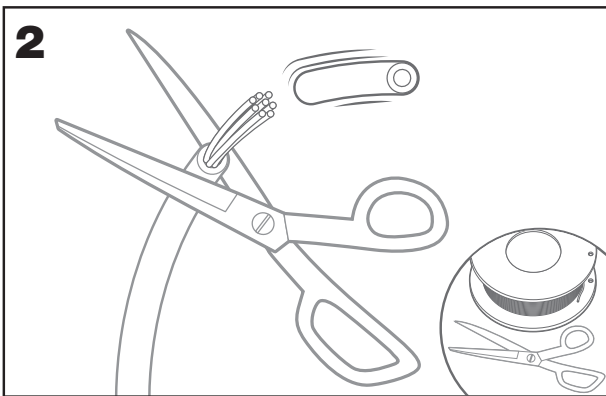
2.3.1 Fix the charging station in the selected location

- A. Secure the base to the ground by means of the supplied screws, using the supplied hex key (fig.1)
- B. If you position the base on hard surface, fix it with plug and screw fixings (not supplied)



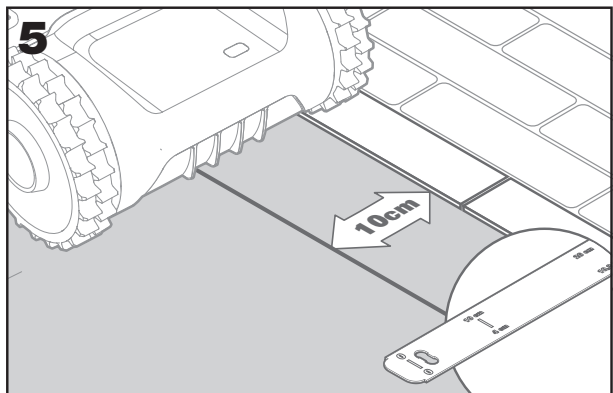
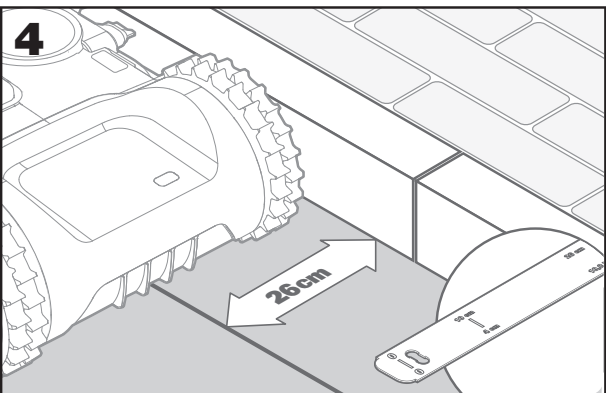
2.3.2 Connect one end of the boundary wire to the charging station

- A. Strip the end of the wire with a pair of scissors (fig. 2)
- B. Open the plastic door and insert the stripped end into the red left clamp (fig. 3)
- C. Pass the wire through the guide of the base, as shown in fig. 3



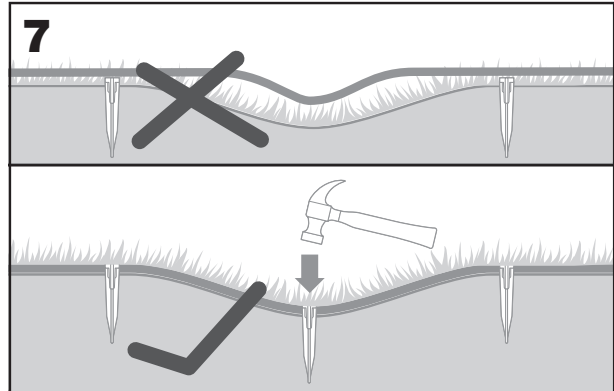
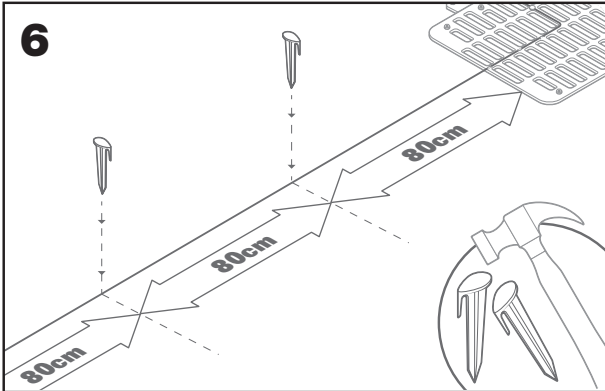
2.3.3 Lay the boundary wire around your lawn

- A. Use the supplied gauge to set the distance wire to edge
- B. If there is a step at the edge of your lawn, keep the wire at 26cm from it (fig. 4)
- C. If there is no step, keep the wire at 10cm from the edge (fig. 5)



2.3.4. Secure the wire to the ground using pegs

- A. Place pegs at approximately 80cm to each other (fig. 6)
- B. Make sure the wire is always in close touch with the ground (fig. 7)

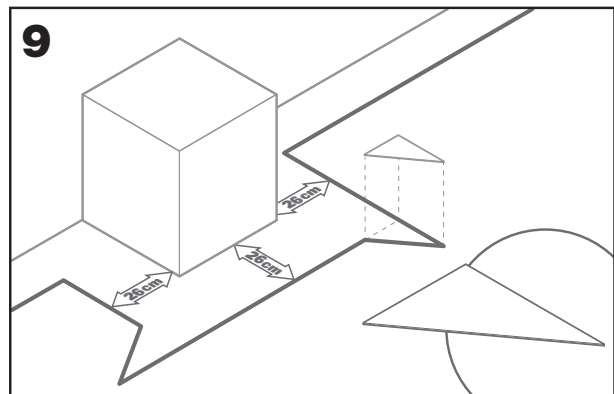
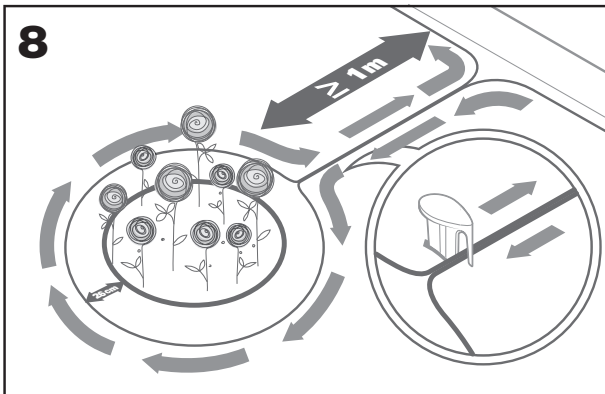


2.3.5 Lay perimeter islands, if needed

- A. Protect flower beds, ponds, tree roots and other areas by surrounding them with the boundary wire
- B. Depart the edge at a right angle to reach the area to be protected
- C. Surround the area with the wire, keeping 26cm distance, until you close the island
- D. Always lay the wire clockwise. Failing to do so will make the mower drive into the island
- E. Return to the edge of the lawn following the same path

2.3.6 Bertelsen method: how to make perfect 90° angles with corners facing the lawn

If there are 90 degree corners that face the inside of your lawn, use the Bertelsen ruler to help Landroid make perfect turns (and remove the risk that Landroid hits an obstacle on the border of the lawn whilst doing this maneuver).



2.3.7 Close the loop

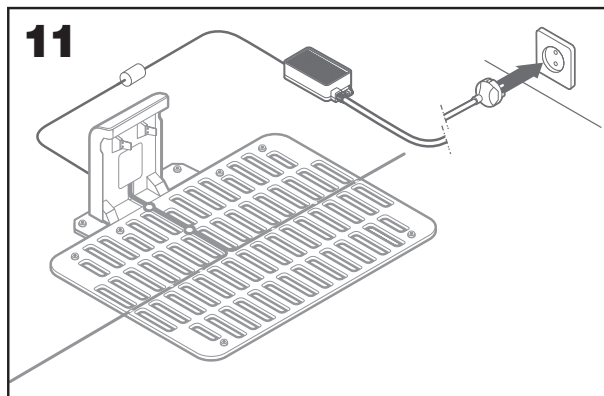
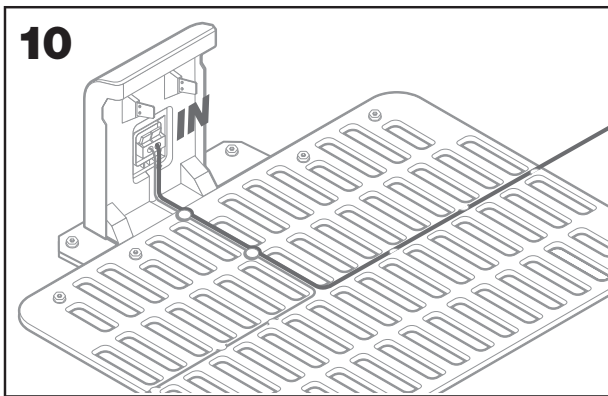
Once you have completed laying the wire on the perimeter of your lawn, you will arrive back to the charging base.

- A. Pass the wire through the guide in the base, up to the clamp (fig. 10)
- B. Cut the exceeding wire and strip the end with a pair of scissors
- C. Insert the stripped end into the black right clamp

2.3.8 Final steps

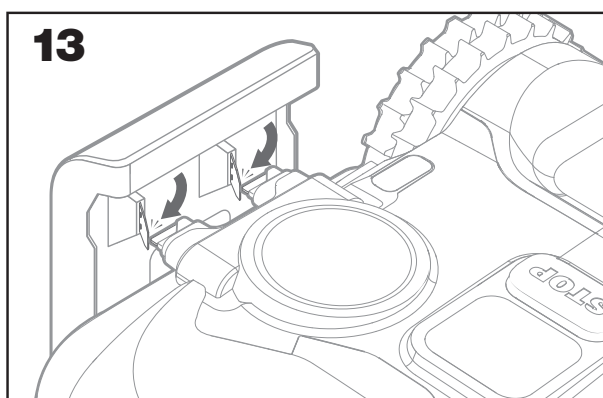
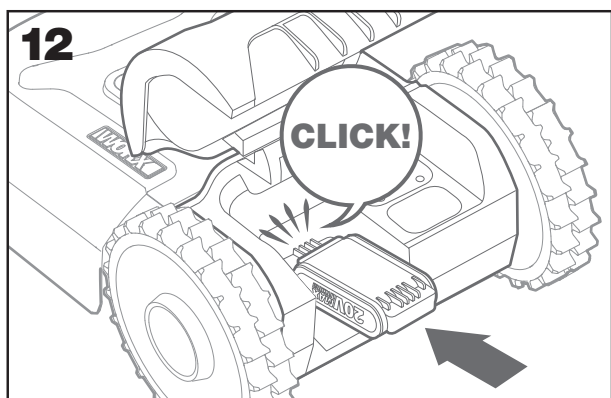
There are only a few more steps to go:

- A. Connect the charging station to the AC mains socket (fig. 11)
- B. If everything is fine, the LED will light green
- C. If there's a trouble in the loop, such as broken wire or wire ends not properly clamped, the LED will turn red. Check that everything is fine and see the FAQ session if the problem persists



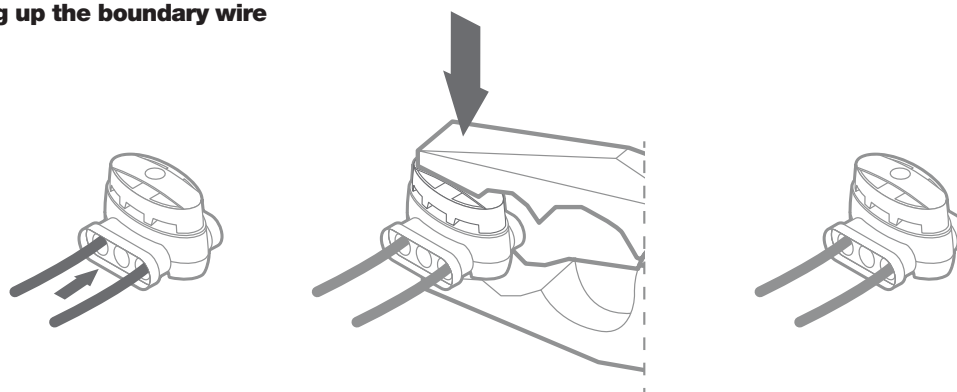
D. Open the rear of Landroid and insert the PowerShare battery into the slot until it clicks (fig. 12)

E. Place Landroid on charge by making sure a deep contact is established with the base (fig. 13). The LED will blink green; once the battery is fully charged, the LED will turn solid green.



F. Let Landroid charge the battery for a while. Whilst it is charging you may want to take a well-deserved break: get familiar with the following instructions, and connect Landroid to your Wi-Fi network.

2.3.9 Joining up the boundary wire



Landroid box includes two small, waterproof boundary wire connectors. They can be used for the following:

- A. When your lawn has a very long perimeter and you need extra boundary wire to complete the installation. Please do not exceed 300m of boundary wire: this is the maximum length of the boundary wire perimeter
- B. When the boundary wire is cut by accident and you need to fix it
- C. When you decide to rework your garden in the future and need to modify the original boundary wire installation

The connectors are waterproof and provide optimal electric connection.

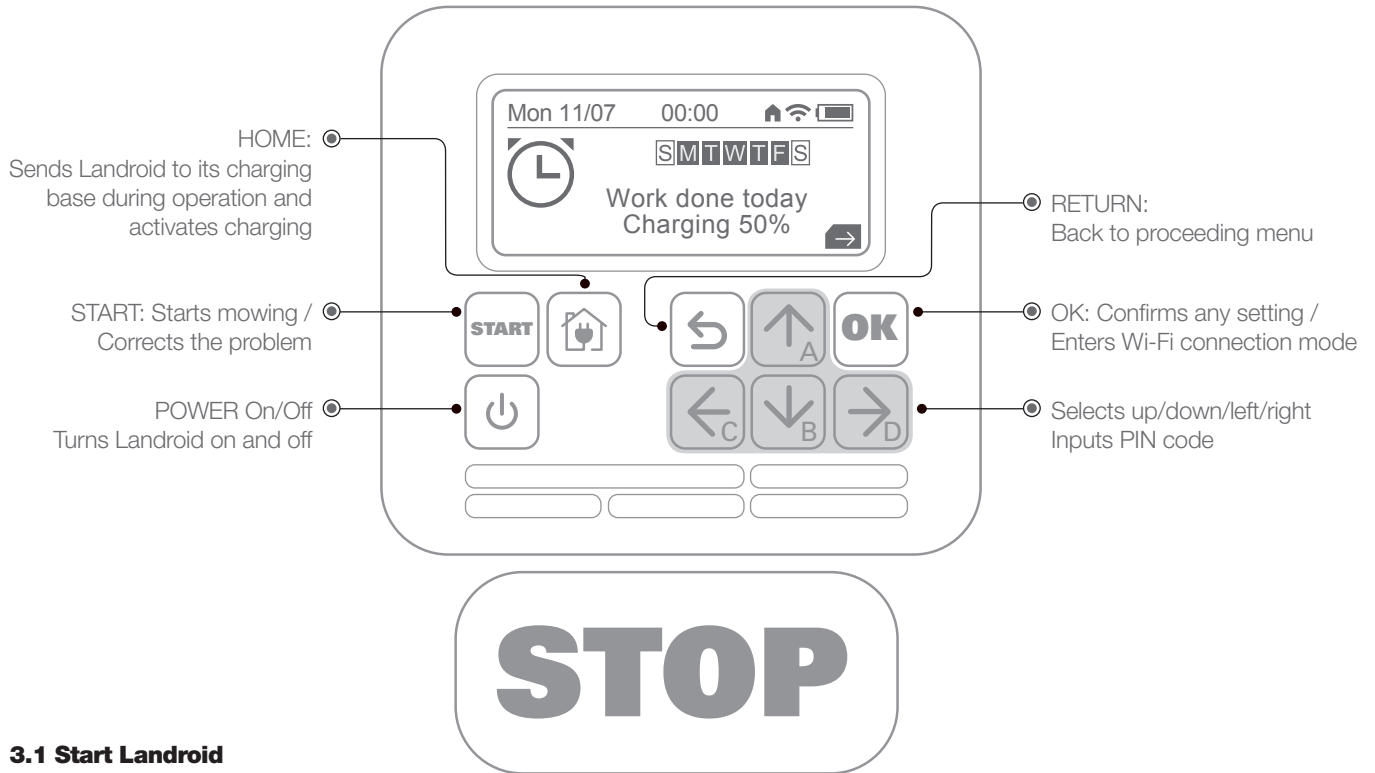
- D. Insert both ends of the wire into any two of the three holes of the connector; no need to strip the wires
- E. Insert the wires fully until both wire ends are visible on the other side of the connector
- F. Press the connector firmly by using a pair of pliers

⚠ Attention: it is not recommended to simply splice the boundary wire with insulating tape or use a screw terminal block for connection. A broken circuit may occur after a period of time as soil moisture can oxidize the wire.

3. NOW FOR THE EXCITING BIT! START LANDROID FOR THE FIRST TIME.

Get familiar with the control panel

Landroid's control panel provides the key functions in a minimalistic design. For advanced functions, the free Landroid app provides further options in a richer interface: your smartphone.



3.1 Start Landroid

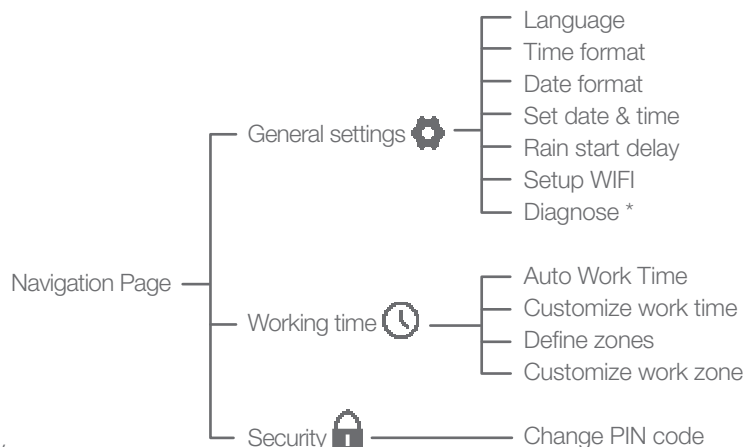
- A. Place Landroid inside the boundary wire
- B. Press On/Off button until the screen lights up
- C. Input the default PIN AAAA by pressing the ↑ (A) key four times. The screen will display "PIN code OK"
- D. Press the START button, then press OK. Landroid will start mowing
- E. You can stop Landroid at any time by pressing the STOP button
- F. To send Landroid to the charging station, press the Home key, then press OK

4. LANDROID CONTROL PANEL

Advanced functions via the built-in interface

Despite its minimalistic design, you can set several advanced functions through the built-in control panel. However, for the best user experience we recommend you use the free Landroid app to do this, given its much richer and intuitive interface.

4.1 Setting



*For after-sales service only

5. CONNECTING LANDROID TO THE INTERNET

Why connect Landroid

Landroid is an IoT (Internet of Things) device. To get full functionality out of your Landroid and keep it always updated to the latest software, it must be connected to the internet via your Wi-Fi network.

5.1 BEFORE YOU START

5.1.1 Download the app

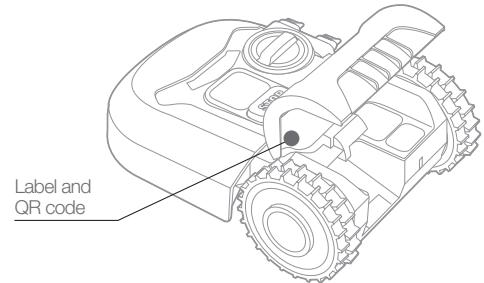
Download the free Landroid app first. Get it from Android or Apple app stores



5.1.2. Ensure you have:

- A. Your WiFi network password
- B. Landroid Serial Number: it can be found in the label under the rear bonnet of the machine.

If you don't want to type the 20-digit Serial Number, input it by scanning the QR code with your smartphone's camera.



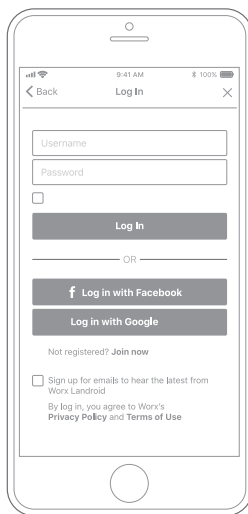
5.1.3. Check your Wi-Fi settings

- A Landroid works with 2.4GHz Wi-Fi signal
 - B Make sure your Landroid is in the same router environment as your smartphone
 - C Make sure the distance between your Landroid, smartphone and your router is as close as possible during connection
- Tip:** when Landroid moves to an area of your lawn with poor or no Wi-Fi signal, instructions sent from the app will only be executed when Landroid returns to an area with good signal.

6. HOW TO CONNECT LANDROID TO THE INTERNET

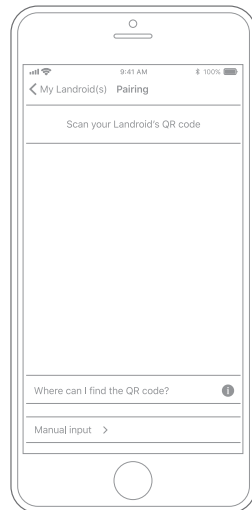
Launch the app and follow these instructions.

1. Register your account



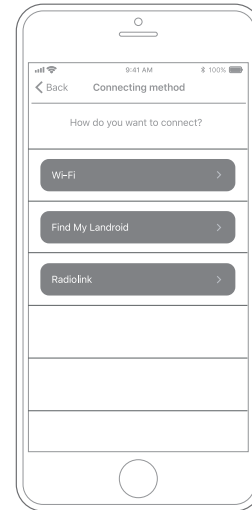
Register your account by typing your username and password, or logging in through Facebook or Google.

2. Input Landroid Serial Number



Register your Landroid by inputting the Serial Number manually or by scanning the QR code.

3. Choose your connection



Select your Wi-Fi network or you can connect Landroid via Find My Landroid or RadioLink Options

If your WiFi does not cover the entire lawn you may consider the purchase of the Landroid Radio Link option, which extends the signal up to 300m in range.

As an alternative, you can purchase the Find My Landroid option that besides connecting Landroid to the internet via its built-in SIMcard, also allows you to track it in the unfortunate event it gets stolen.

7. LANDROID APP NOT A SIMPLE REMOTE CONTROL

Don't think at it as a remote control. The app is an integral part of the Worx Landroid advanced ecosystem based on cloud computing and artificial intelligence.

Thanks to the app's augmented reality feature, you can measure the exact area of your lawn. It's as easy as taking a walk along its border. Once connected, Landroid can access its unique auto scheduling instructions from the cloud and is able to download the latest software to optimise its performance.

⚠ ВНИМАНИЕ: Изучите все предупреждения, относящиеся к безопасности и все указания. Игнорирование предупреждений и несоблюдение указания может привести к поражению электрическим током, к пожару и/или к тяжелой травме..

Внимательно изучите инструкции по безопасной эксплуатации машины. Сохраните все материалы с предупреждениями и указаниями для последующих справок.

1. КАК РАБОТАЕТ LANDROID

В следующем разделе мы хотели бы помочь вам лучше понять, как работает Landroid. Landroid — это автономная машина, способная работать самостоятельно. Она знает, когда ей нужно отправляться на зарядную базу, может распознавать дождь, самостоятельно выполнять остановку при выявлении проблем и умеет останавливаться, сдавать назад и разворачиваться, наткнувшись на преграду на своем пути. В целях предотвращения происшествий Landroid также автоматически останавливает вращение ножевого диска в случае его подъема с земли.

1.1 Самостоятельная зарядка



Когда Landroid требует зарядки, он прекращает покос и, идя по граничному проводу против часовой стрелки, возвращается на зарядную станцию. По завершении зарядки Landroid автоматически возобновляет покос или остается на зарядной базе согласно графику покоса.

1.2 Управление границами



Landroid запрограммирован, чтобы косить траву по периметру газона два раза в неделю в понедельник и пятницу. Если вы хотите изменить предварительно заданную настройку, вы можете сделать это с помощью смартфона или панели управления в меню Work time-Customise Work time. См. подробные инструкции в конце настоящего руководства.

1.3 Датчик дождя



Landroid полностью защищен от атмосферных воздействий и легко переносит условия вне помещений. Но покос влажной травы дает не лучшие результаты. Landroid оборудован датчиком дождя, который обнаруживает дождь и сообщает Landroid, что нужно прекратить покос и вернуться на зарядную базу.

1.4 Время задержки после дождя



После дождя Landroid вновь запускается, когда трава высыхает. Время задержки после дождя по умолчанию 180 минут. Настройку времени задержки после дождя можно изменить через приложение Landroid.

1.5 В более экстремальных погодных условиях

В случае грозы примите меры по защите Landroid, вынув из розетки зарядную базу, отключив граничный провод и удостоверившись, что Landroid не может заряжаться. Зимой, особенно в условиях очень холодной погоды и обильного снегопада, рекомендуем хранить Landroid в помещении. В некоторых странах мы предлагаем зимнее обслуживание Landroid, чтобы подготовить его к весеннему вегетационному периоду. Для получения более подробной информации обратитесь к вашему дилеру или посетите страницу в интернете.

1.6 Больше не нужно собирать свежескошенную траву

В ходе повседневного покоса Landroid создает очень короткие обрезки, которые не нужно собирать. Эти обрезки являются идеальным органическим удобрением для газона. Частый покос повышает плотность травы и эффективно предотвращает развитие сорняков.

1.7 Покос по краю

Модели Landroid M и L имеют функцию покоса по краю. Специальный смещенный нож располагается максимально близко к границе газона, практически полностью устраняя потребность в дополнительном подрезании.

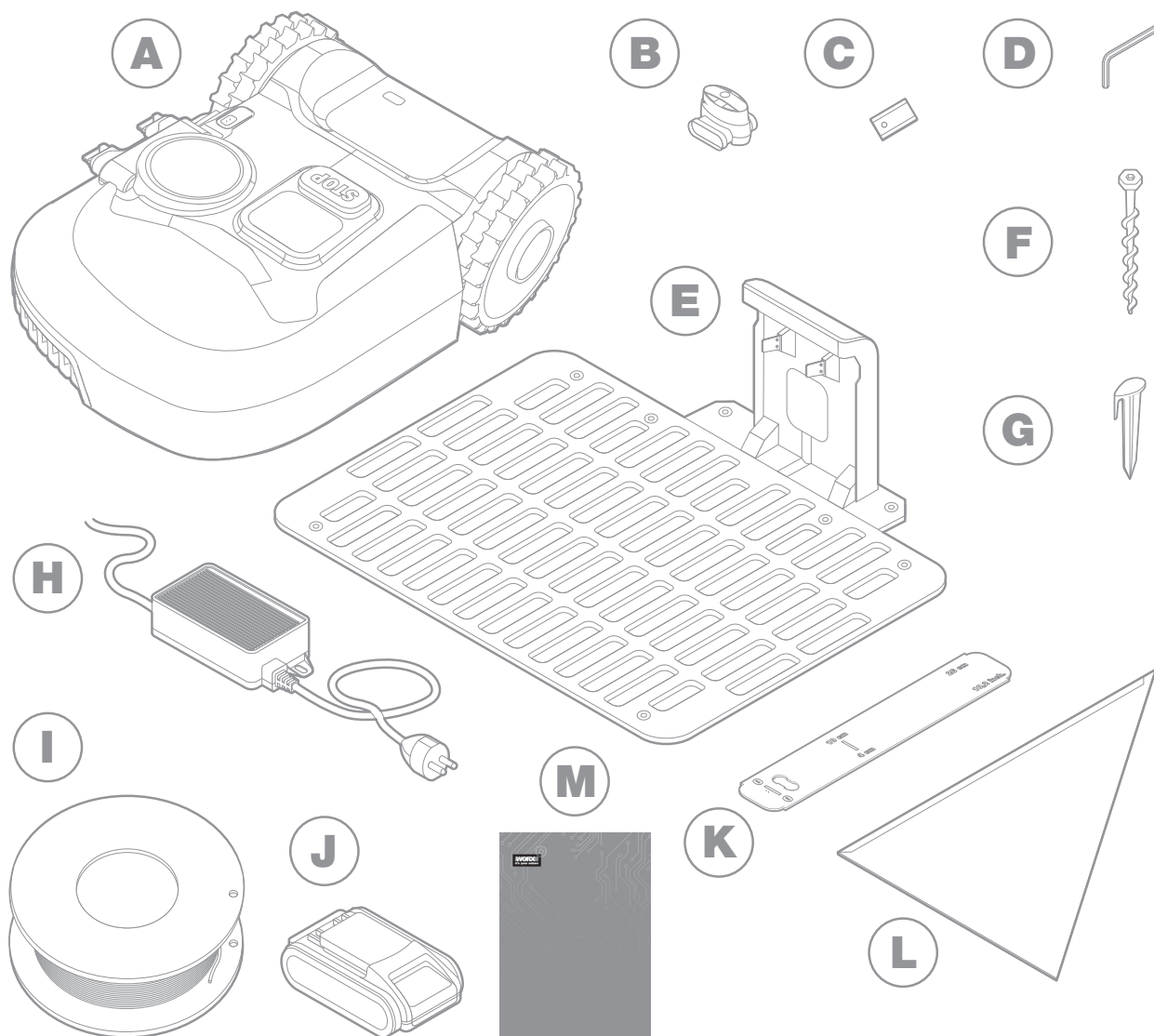
1.8 Высота резания

Перед первым запуском Landroid, убедитесь, что высота травы составляет не более 10см. Если она имеет большую высоту, подрежьте ее обычной косилкой, прежде чем использовать Landroid. Если вы хотите значительно уменьшить высоту травы, рекомендуем делать это постепенно, пошагово регулируя высоту срезания.

1.9 Безопасность и защита ПИН-кодом

В целях предотвращения использования Landroid другими лицами без разрешения, система защищена ПИН-кодом, который можно легко настроить.

КОМПЛЕКТ ПОСТАВКИ



Это изображение приведено только для справки

- A** Worx Landroid

- B** Соединителя для ремонта проводов

- C** Запасных комплекта ножей

- D** Торцевой шестигранный ключ

- E** Зарядная база

- F** Винтов

- G** Колышки для проводов

- H** Блок питания

- I** Граничный провод

- J** Батарея 20В

- K** Дальномера для граничного провода

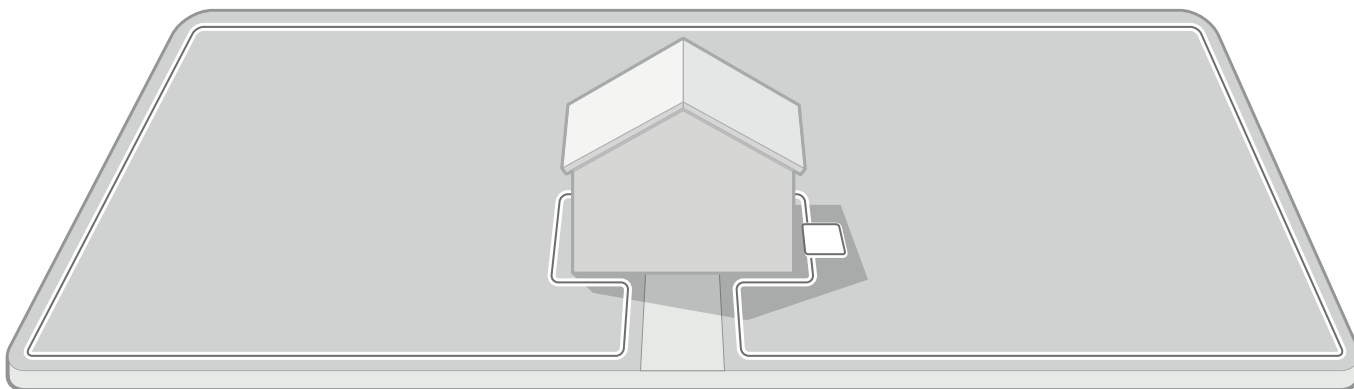
- L** Угольни

- M** Руководства

2. МОНТАЖ

Установить Worx Landroid будет проще, если внимательно следовать данным инструкциям. В конечном счете, все сводится к установке зарядной станции и прокладке граничного провода вокруг газона. В дополнение к настоящему руководству вы можете ознакомиться с руководством по началу работы, которое входит в комплект поставки, и посмотреть подробные обучающие видео на нашем канале YouTube*.

* Данная информация предоставляется для вашего удобства, но не заменяет руководство и указания по безопасности, которые необходимо прочитать и понять.



Осмотрите газон и спланируйте установку

Установите зарядную станцию

Проложите граничный провод

Подключите зарядную станцию к источнику переменного

Включите питание Landroid. Выполните тестирование и подготовку к покосу

2.1 КАЖДАЯ МИНУТА, ПОТРАЧЕННАЯ НА ПЛАНИРОВАНИЕ, ЭКОНОМИТ 10 МИНУТ ПРИ ВЫПОЛНЕНИИ РАБОТ

Устанавливать Landroid проще, если вы имеете ясное представление о том, что нужно сделать. Кроме того, должное планирование помогает избежать ошибок и вынужденной корректировки установки после ее завершения.

2.1.1 На поверхности или под землей?

Граничный провод Landroid предназначен для размещения на поверхности газона. Практически незаметный с самого первого дня, по прошествии нескольких недель он будет покрыт почвой. Если вы хотите закопать провод, рекомендуется сначала закрепить его колышками и протестировать установку, прогнав Landroid по периметру. Это поможет вам легко все проверить и, при необходимости, изменить схему расположения провода, прежде чем его закапывать. Закапывать провод следует не более чем на несколько сантиметров, чтобы он обеспечивал надежный сигнал.

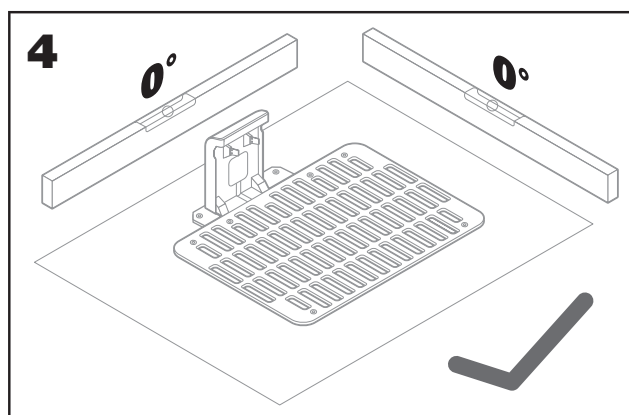
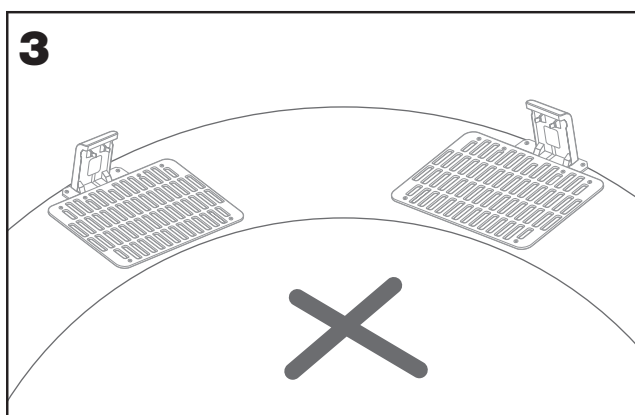
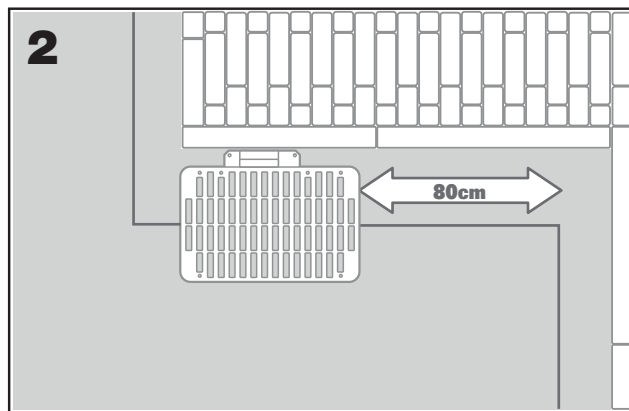
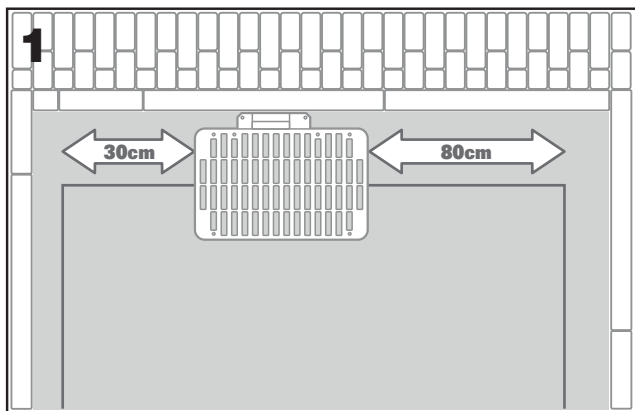
2.1.2 Планирование установки зарядной станции

Зарядная станция — это место, куда отправляется Landroid для зарядки батареи. Кроме того, это место парковки, где он остается в промежутках между сеансами покоса.

Подберите для нее нужное положение, учитывая следующее:

- A. Ее необходимо подключить к источнику питания, поэтому ее следует располагать не более чем в 10 м от розетки сети переменного тока
- B. По возможности выберите место в тени, так как батареи и зарядные устройства «не любят» перегрев
- C. Для обеспечения эффективной стыковки база должна находиться на плоской поверхности
- D. Избегайте мест вблизи поливочных спринклеров

Зарядную станцию можно разместить на газоне или на твердой поверхности, такой как дорожка, при условии того, что газон и твердая поверхность имеют одинаковую высоту (без ступенек). Для въезда на станцию Landroid необходимо, чтобы перед ним было по меньшей мере 80 см прямого пути. На стороне выезда ему требуется по меньшей мере 30 см прямого пути перед левым поворотом (рис. 1). Если поворот уходит вправо, прямой путь не требуется (рис. 2).

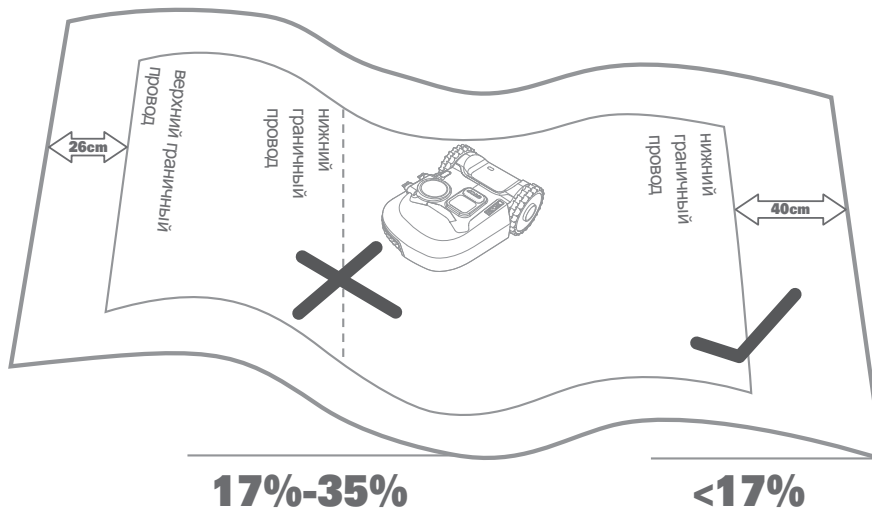


2.1.3 Контрольный список для установки зарядной станции:

- A. в пределах досягаемости сети переменного тока
- B. в тени
- C. прямой путь на въезде; прямой путь на выезде (при необходимости)
- D. плоская поверхность
- E. поблизости нет поливочных спринклеров

2.1.4 Размещение граничного провода на склонах

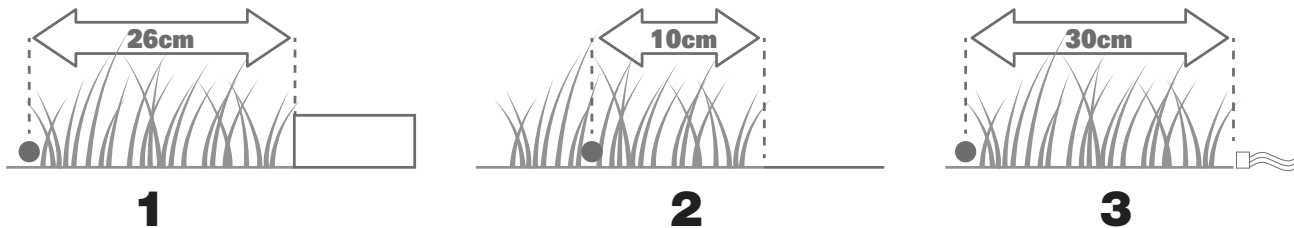
НЕЛЬЗЯ прокладывать верхний граничный провод на склоне, если его крутизна превышает 35% (20°). НЕЛЬЗЯ прокладывать нижний граничный провод на склоне, если его крутизна превышает 17% (10°), а также ближе, чем на расстоянии 40 см от любого препятствия на склоне крутизной 17%.



2.1.5 Планирование установки граничного провода

Провод необходимо разместить на определенном расстоянии от края газона. Это расстояние зависит от того, что находится с другой стороны от края. Для разных участков газона могут использоваться разные сценарии прокладки границы:

- A. Если край газона граничит со ступенькой: прокладывайте провод в 26см от края. (схема 1)
- B. Если край газона граничит с дорожкой такой же высоты: прокладывайте провод в 10см от края. (схема 2)
- C. Если край газона граничит с бассейном: провод должен находиться на расстоянии не менее 30см от его края. (схема 3)



Если газон граничит с соседским, на котором также используется робот-газонокосилка, то во избежание помех граничный провод должен быть проложен на расстоянии не менее, чем 1 м от соседского провода.

2.2 Осмотр газона

Landroid предназначен для работы с самыми сложными газонами. Проведите осмотр газона, чтобы подготовиться и провести установку граничного провода без каких-либо затруднений.

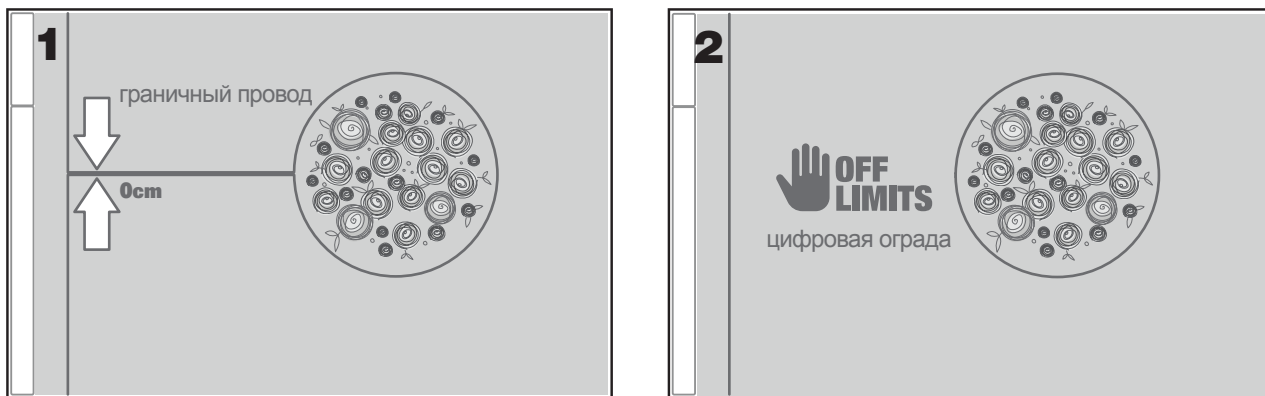
2.2.1 Идентификация запретных зон

Газонокосилка не должна скашивать цветы, нырять в водные объекты ландшафтного дизайна или срезать выступающие над землей корни деревьев. Определите эти зоны и окружите их граничным проводом, чтобы предотвратить в них доступ Landroid.

Граничный провод образует цельную петлю, подключенную обоими концами к зарядной станции, поэтому вам будет необходимо отойти с проводом от границы, окружить зону, которую вы хотите защитить, затем вернуться с проводом к границе, как показано на рис. 1.

Если зоны, которые необходимо окружить, удалены от границы газона, или если вам нужно защитить несколько зон и корней деревьев, этот традиционный способ занимает много времени.

Отличной альтернативой будет покупка опции Landroid Off-Limits. С ней вы сможете просто окружить запретные зоны цифровой оградой Off-Limits, которую не нужно подключать к петле граничного провода (рис. 2). Цифровая ограда Off-Limits также прекрасно подходит для защиты сезонного оборудования (например, батута) или для защиты новых элементов ландшафта газона без необходимости переноса граничного провода.



2.2.2 Идентификация преград

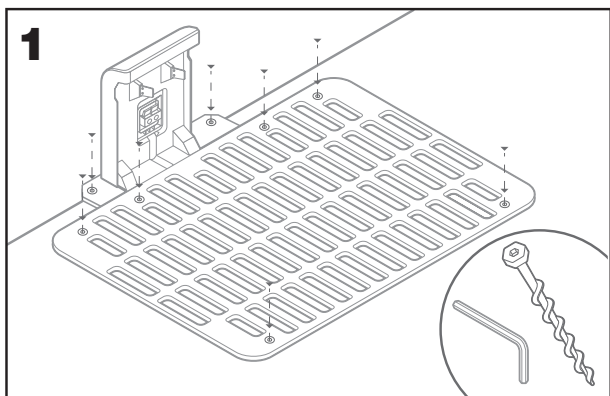
Датчик столкновений Landroid способен обнаруживать твердые преграды, такие как деревья, мебель и т. д., которые не нужно окружать проводом. Если на вашем газоне присутствует несколько преград или тесно растущих деревьев, рекомендуем приобрести опцию Landroid ACS — интеллектуальный ультразвуковой автопилот, который позволит Landroid объезжать преграды, а не наталкиваться на них.

2.3 А ТЕПЕРЬ ЗАСУЧИТЕ РУКАВА. И ЗА ДЕЛО!

Теперь, когда вы спланировали установку во всех деталях, можно приниматься за дело. Прежде чем приступить, в последний раз воспользуйтесь своей старой косилкой, чтобы привести газон в порядок и облегчить установку.

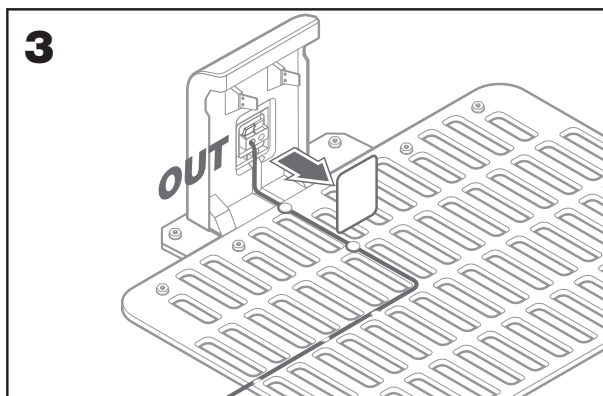
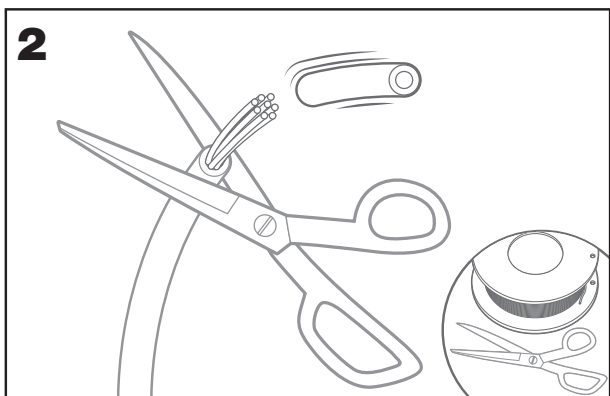
2.3.1 Зафиксируйте зарядную станцию в выбранном месте

- А. Прикрепите базу к земле посредством поставляемых винтов, используя поставляемый торцевой шестигранный ключ (рис. 1)
- В. При размещении базы на твердой поверхности закрепите ее креплениями с заглушками и винтами (не входят в комплект).



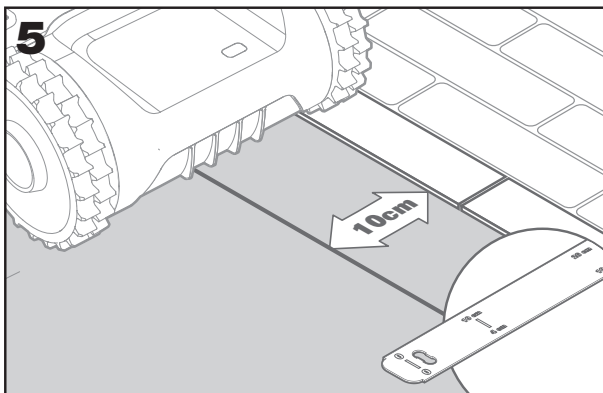
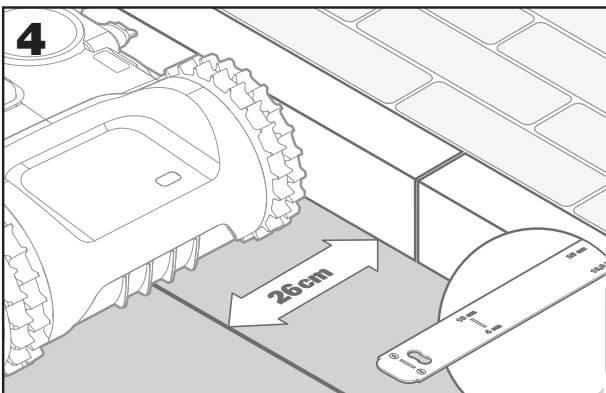
2.3.2 Подключите один конец граничного провода к зарядной станции

- А. Зачистите один конец провода ножницами (рис. 2)
- В. Откройте пластмассовую дверцу и вставьте зачищенный конец в красный левый зажим (рис. 3)
- С. Проведите провод через направляющую базу, как показано на рис. 3



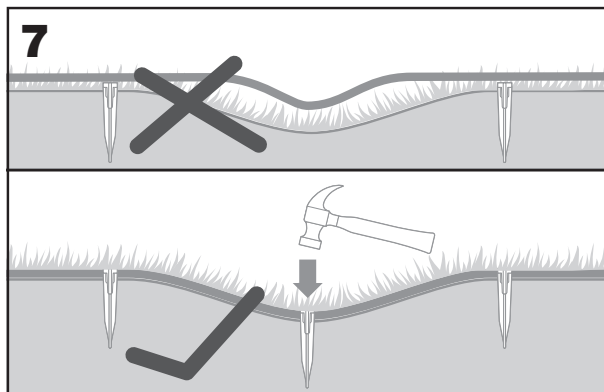
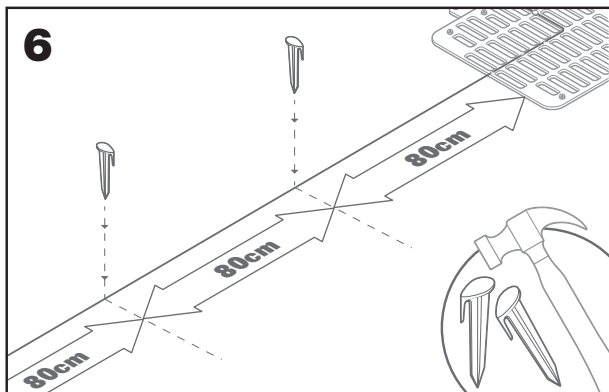
2.3.3 Проложите граничный провод вокруг газона

- А. Используйте поставляемый дальномер, чтобы выставить расстояние от провода от края
- В. Если у края газона присутствует ступенька, прокладывайте провод в 26см от нее (рис. 4)
- С. Если ступеньки нет, прокладывайте провод в 10см от края (рис. 5)



2.3.4 Прикрепите провод к земле, используя колышки

- A. Устанавливайте колышки приблизительно в 80 см друг от друга (рис. 6)
- B. Следите за тем, чтобы провод всегда плотно прилегал к земле (рис. 7)

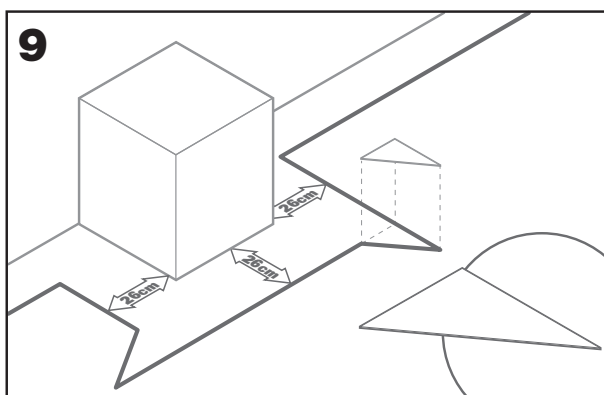
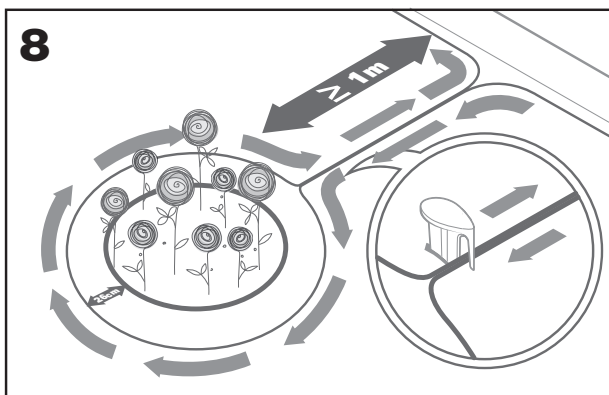


2.3.5 При необходимости оградите островки по периметру

- A. Защитите цветочные клумбы, пруды, корни деревьев и другие зоны, окружив их граничным проводом
- B. Двигайтесь от края под нужным углом, чтобы достичь зоны, которую необходимо защитить
- C. Окружайте зону проводом, соблюдая расстояние 26 см, пока ограда вокруг островка не замкнется
- D. Всегда прокладываете провод против часовой стрелки. В противном случае косилка будет въезжать в острово
- E. Вернитесь к краю газона по тому же пути

2.3.6 Метод с угольником: как идеально обходить объекты с прямыми углами, выступающими в сторону газона

В случае присутствия прямых углов, обращенных внутрь газона, используйте угольник, чтобы помочь Landroid идеально входить в повороты (и устранить риск столкновения Landroid с преградой на границе газона во время этого маневра).



2.3.7 Замыкание петли

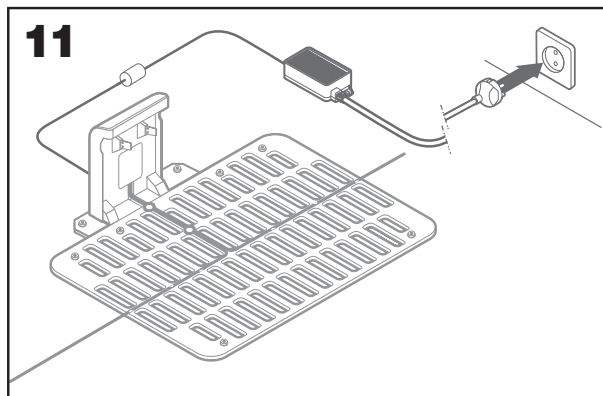
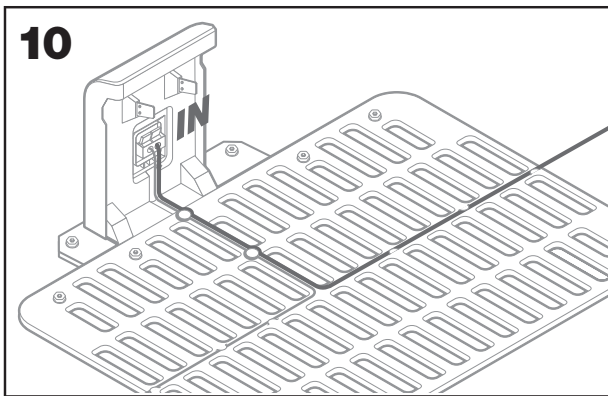
По завершении прокладки провода по периметру газона вы вернетесь назад к зарядной станции.

- A. Проведите провод через направляющую в базе, вверх до зажима (рис.10)
- B. Отрежьте лишний провод и зачистите конец ножницами
- C. Вставьте зачищенный конец в черный правый зажим

2.3.8 Заключительные шаги

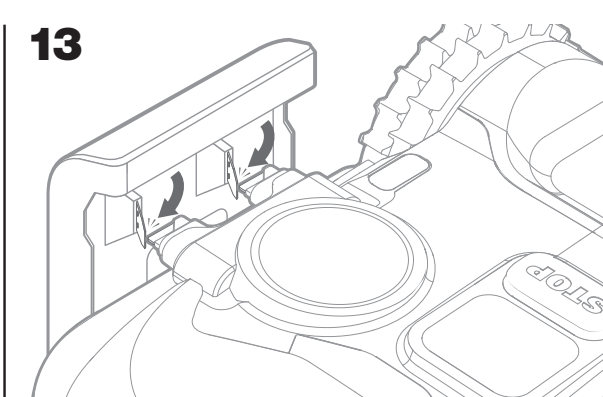
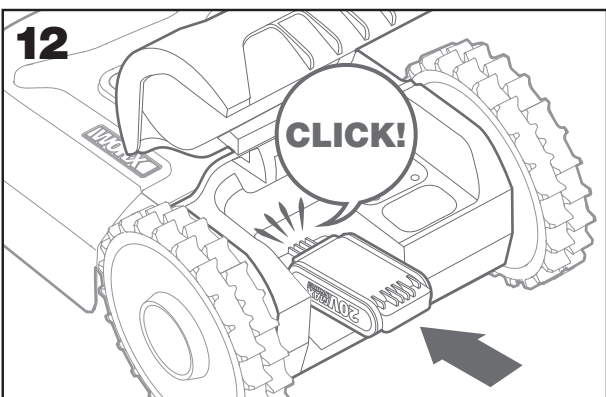
Самое скучное позади! Осталось всего несколько шагов:

- A. Подключите зарядную станцию к розетке сети переменного тока (рис. 11)
- B. Если все в порядке, светодиод загорится зеленым
- C. Если в петле присутствуют какие-то неполадки, например, оборвался провод или его концы не зажаты должны образом, светодиод загорится красным. Убедитесь, что все в порядке, а в случае возникновения проблем обратитесь к разделу «Часто задаваемые вопросы»



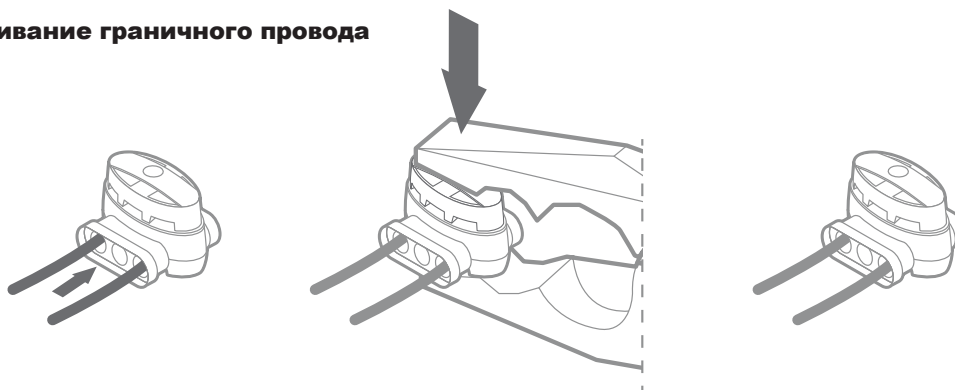
D. Откройте заднюю крышку Landroid и вставьте в слот батарею PowerShare до щелчка (рис. 12)

E. Поставьте Landroid на зарядку, убедившись, что установлен надежный контакт устройства с зарядной подставкой (схема 13). Светодиод будет мигать зеленым; когда аккумулятор полностью зарядится, индикатор начнет светиться зеленым светом непрерывно.



F. Подождите, пока Landroid зарядит батарею. А пока он заряжается, вы можете устроить себе заслуженную передышку: ознакомьтесь со следующими инструкциями и подключите Landroid к сети Wi-Fi.

2.3.9 Сращивание граничного провода



В комплектацию Landroid входят два небольших водонепроницаемых соединителя граничного провода. Их можно использовать для следующих целей:

A. Когда газон имеет очень длинный периметр, и вам нужен дополнительный граничный провод для завершения установки. Следите за тем, чтобы длина граничного провода не превышала 300 м: это максимальная длина граничного провода

B. При случайном порезе граничного провода и необходимости его ремонта

C. Если в будущем вы решите пересмотреть планировку сада и нужно будет вести изменения в первоначальное расположение граничного провода

Соединители водонепроницаемы и обеспечивают оптимальное электрическое соединение.

D. Вставьте оба конца провода в любые два из трех отверстий соединителя; зачищать провода не нужно

E. Полностью вставьте провода, пока оба конца проводов не появятся на другой стороне соединителя

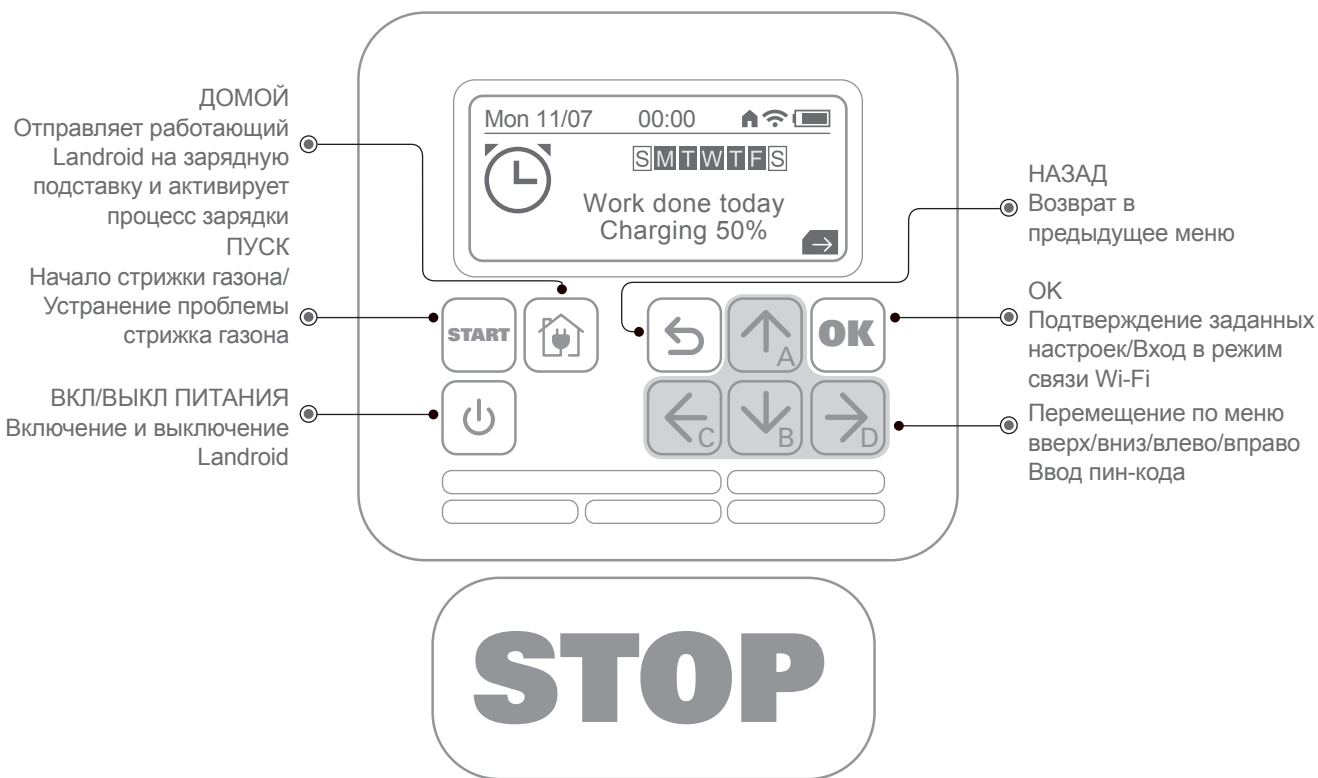
F. Плотнo сожмите соединитель пассатижами

⚠ Внимание: не рекомендуется просто склеивать граничный провод изолентой или использовать для соединения винтовую клеммную колодку. По прошествии времени, по мере того как влажность грунта может окислять провод, может возникнуть разрыв цепи.

3. А ТЕПЕРЬ САМОЕ ИНТЕРЕСНОЕ! ПЕРВЫЙ ЗАПУСК LANDROID.

Ознакомьтесь с панелью управления

На панели управления Landroid представлены основные функции в минималистическом дизайне. Для работы с расширенными функциями, можно использовать бесплатное приложение Landroid для смартфона, которое предоставляет дополнительные опции и имеет более богатый интерфейс.



3.1 Запуск Landroid

- Поместите Landroid в зону, окруженную граничным проводом
- Нажимайте кнопку Вкл/Выкл, пока не загорится экран
- Введите ПИН-код по умолчанию АААА, нажав клавишу ↑ (А) четыре раза. На экране отобразится PIN code ОК
- Нажмите кнопку START, затем нажмите ОК. Landroid начнет покос
- Вы можете остановить Landroid в любое время, нажав кнопку STOP
- Чтобы отправить Landroid на зарядную станцию, нажмите клавишу базы, а затем нажмите ОК

4. ПАНЕЛЬ УПРАВЛЕНИЯ LANDROID

Расширенные функции, доступные через встроенный интерфейс

Несмотря на свой минималистический дизайн встроенная панель управления позволяет использовать ряд расширенных функций.

Однако для обеспечения наилучшего взаимодействия с пользователем мы рекомендуем использовать для этого бесплатное приложение Landroid, так как оно имеет куда более богатый и интуитивно понятный интерфейс.

4.1 Настройки



*Только для послепродажного обслуживания

5. ПОДКЛЮЧЕНИЕ LANDROID К ИНТЕРНЕТУ

Зачем подключать Landroid

Landroid представляет собой устройство IoT (Интернет вещей). Чтобы получить доступ ко всем функциям Landroid и обеспечить стабильное обновление программного обеспечения до последней версии, его необходимо подключить к интернету по сети Wi-Fi

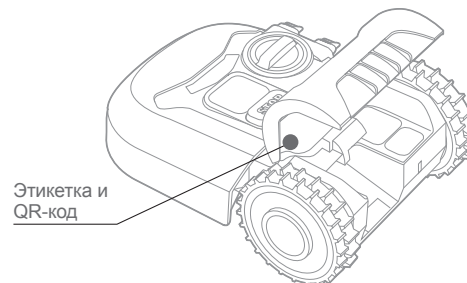
5.1 ПРЕЖДЕ ЧЕМ НАЧАТЬ

Сначала загрузите бесплатное приложение Landroid. Его можно найти в магазинах приложений Android или Apple



5.1.2 Убедитесь, что у вас есть:

- A. Пароль от вашей сети WiFi
- B. Серийный номер Landroid: он указан под задней крышкой машины. Если вы не хотите вручную вводить 20-значный серийный номер, введите его, просканировав QR-код камерой смартфона.



5.1.3 Проверьте настройки Wi-Fi

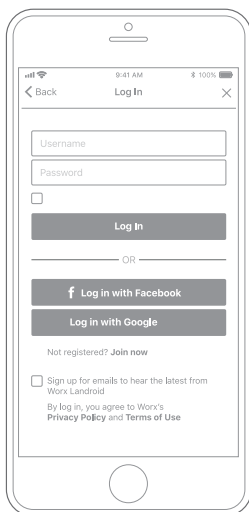
- A. Landroid использует для работы сигнал Wi-Fi 2,4 ГГц
- B. Убедитесь, что Landroid находится в среде того же маршрутизатора, что и смартфон
- C. Следите за тем, чтобы во время подключения Landroid смартфон и маршрутизатор были расположены как можно ближе друг к другу.

Подсказка: когда Landroid перемещается в область газона, где сигнал Wi-Fi слабый или отсутствует, инструкции, отправляемые из приложения будут выполнены только после того, как Landroid вернется в зону с хорошим сигналом.

6. КАК ПОДКЛЮЧИТЬ LANDROID К ИНТЕРНЕТУ

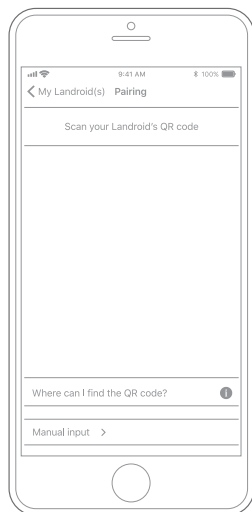
Запустите приложение и следуйте этим инструкциям.

1. Зарегистрируйте вашу учетную запись



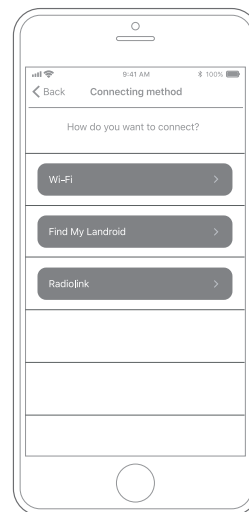
Зарегистрируйте вашу учетную запись, введя имя пользователя и пароль или войдя через Facebook или Google.

2. Введите серийный номер Landroid



Зарегистрируйте ваш Landroid, введя серийный номер вручную или просканировав QR-код.

3. Выберите подключение



Выберите вашу сеть Wi-Fi или подключите Landroid, используя опции Find My Landroid или RadioLink

Если WiFi не покрывает весь газон, рекомендуем приобрести опцию Landroid RadioLink, которая увеличивает дальность сигнала до 300м.

В качестве альтернативы можно приобрести опцию Find My Landroid, которая, кроме подключения Landroid к интернету посредством встроенной SIM-карты, также позволяет отслеживать его в случае кражи.

7. ПРИЛОЖЕНИЕ LANDROID НЕ ПРОСТО СРЕДСТВО ДИСТАНЦИОННОГО УПРАВЛЕНИЯ

Не рассматривайте приложение только как средство дистанционного управления. Оно является неотъемлемой частью передовой экосистемы Worx Landroid, созданной на базе облачных вычислений и искусственного интеллекта.

Благодаря реализованной в приложении технологии дополненной реальности вы сможете измерить точную площадь вашего газона. Это столь же просто, как прогуляться вдоль его границ.

После подключения Landroid сможет осуществлять доступ к инструкциям уникальной системы автоматического составления графика из облака и загружать последнее программное обеспечение для оптимизации своей работы.

⚠ HOIATUS! Lugege ohutushoiatusi ja kõiki juhiseid. Hoiatuste ja juhiste mittejärgmine võib põhjustada elektrilöögi, tulekahju ja/või tõsiseid vigastusi. Lugege hoolikalt ohutusjuhiseid, et tagada masina turvaline kasutamine. Hoidke kõik hoiatused ja juhised hilisemaks kasutamiseks alles.

1. KUIDAS LANDROID TÖÖTAB

Järgmises jaotises soovime teile selgitada Landroidi tööpõhimõtteid.

Landroid on autonoomne seade, mis on võimeline ise tegutsema. See teab, millal laadimisjaama liikuda, tunnetab vihma sadu, suudab ennast probleemi tekkides peatada ning teab, kuidas seiskuda, tagurdada ning millegi otsa komistades ümber pöörata. Õnnetuse ennetamiseks seiskab Landroid automaatselt teraketta, kui see üles tõstetakse.

1.1 Laeb ennast ise



Kui teie Landroidi aku tühjeneb, lõpetab see niitmise ning liigub mööda piirdekaablit vastupäeva tagasi laadimisjaama. Kui laadimine on lõpule viidud, alustab Landroid automaatselt niitmist või jääb laadimisjaama (olenevalt niitmisgraafikust).

1.2 Piirete haldamine



Landroid on programmeeritud muru niitmiseks mööda muru perimeetrit kaks korda nädalas Esmaspäeviti ja Reedeti. Kui soovite seda eelseadistust muuta, saate seda teha rakendusest või seadistusest "Work time-Customise Work time" juhtpaneeli menüüs. Detailsed juhised leiata selle kasutusjuhendi lõpust.

1.3 Vihmaandur



Landroid on 100% veekindel ning õues olemise üle rõõmus. Märja rohu niitmine ei taga parimaid tulemusi. Landroidil asuvad vihmaandurid, mis tunnetavad vihma ning käsivad Landroidil niitmise lõpetada ja tagasi laadimisjaama minna.

1.4 Vihmajärgne viivitusae



Landroid taaskäivitub pärast vihmasedu, kui muru on kuivanud. Vaikimisi vihmajärgne viivitusae on 180 minutit. Võite vihmajärgset viivitusae muuta Landroidi rakenduse

1.5 Ekstreemsetes ilmastikutingimustes



Äikesetormi korral kaitske Landroidi ning tõmmake laadimisjaam stepslist välja, ühendage piirdekaabel lahti ning veenduge, et Landroid ei saaks laadida. Talvisel ajal ning äärmiselt külma ilma korral soovitage Landroidi siseruumides hoiustada. Pakume mõnes riigis Landroididele talvehooldust, et see oleks kevadhooajaks valmis. Võtke ühendust oma edasimüüjaga või uurige üksikasju meie veebilehelt.

1.6 Rohulibleda riisumine on nüüd minevik



Landroidi igapäevane niitmine tekitab väga lühikesi liblesid, mida ei pea kokku riisuma. Need lühikesed libled sobivad täiuslikult teie murule väetiseks. Tihe niitmine suurendab rohulibleda tihedust ja ennetab efektiivselt umbrohu levimist.

1.7 Ääreni lõikamine



Landroidi M ja L mudelitel on ääreni lõikamise funktsioon. See spetsiaalne kõrvalekaldega tera lõikab teie muru võimalikult äärtele lähedal, mistõttu ei pea te ääri ise trimmima.

1.8 Lõikekõrgus



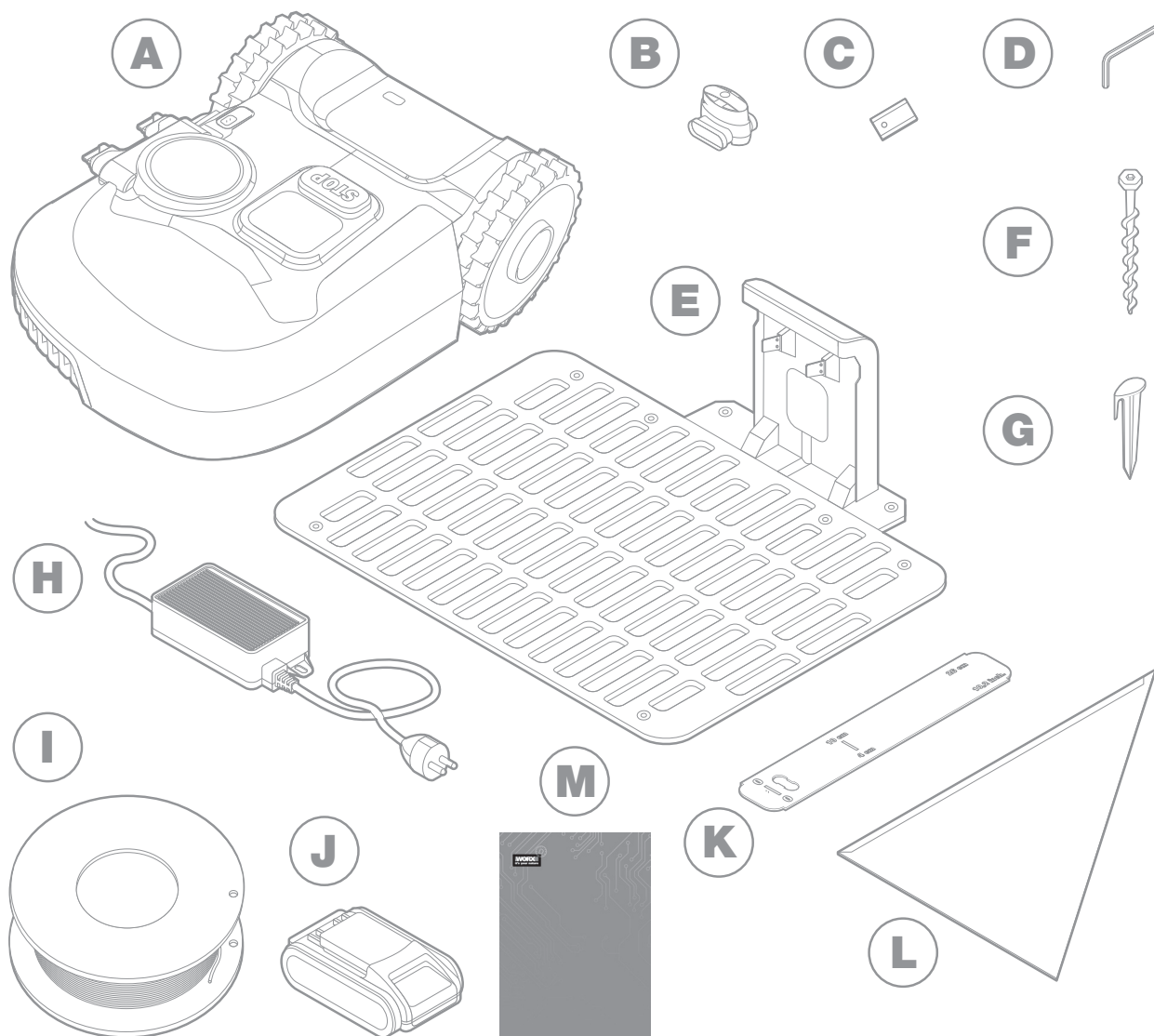
Veenduge enne Landroidi esmakordset käivitamist, et muru oleks lühem kui 10 cm. Kui see on pikem, kasutage enne Landroidi kasutamist tavalist muruniidukit. Kui soovite drastiliselt muru kõrgust vähendada, soovitage seda teha järk-järgult ning sammukaupa lõikekõrgust reguleerides.

1.9 Turvalisus & PIN-kaitse



Selleks, et ennetada autoriseerimata isikute Landroidi kasutamist, on sellel lihtsalt seatav PIN-kood.

MIS ON KARBIS



See pilt on lihtsalt illustreeriv

A Worx Landroid

B Juhtmeparanduskonnektorit

C Lisaterade komplekti

D Kuuskantvõti

E Laadimisjaam

F Kruvi

G Kaablid

H Toiteallikas

I Piirdekaabel

J 20V Aku

K Piirdekaabli kaugusmõõturit

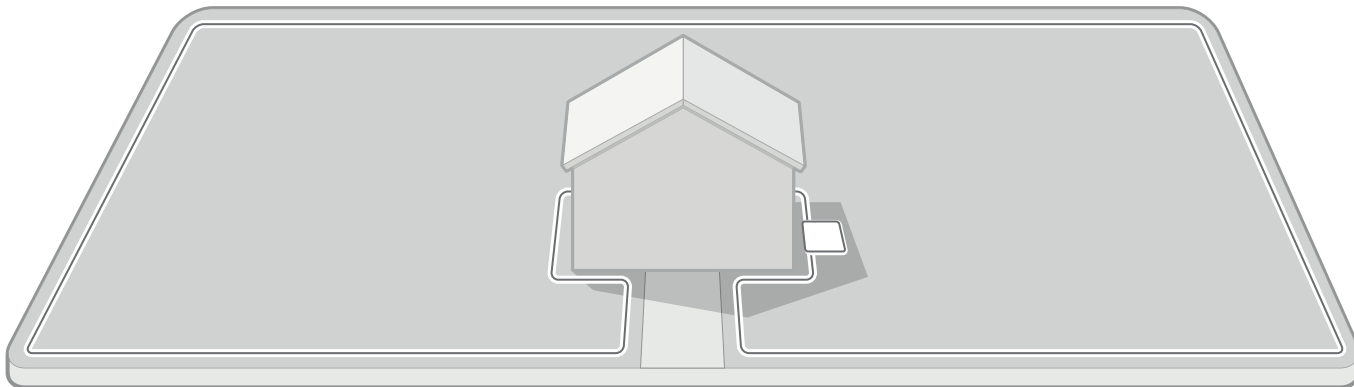
L Bertelseni joonlaud

M Käsi

2. PAIGALDAMINE

Teie Worx Landroidi paigaldamine on lihtne, kui jälgite hoolikalt neid juhiseid. Lõpuks on kõige olulisem laadimisjaama paigaldamine ja piirdekaabli matmine muruplatsi ümber. Lisaks sellele juhisele võite kasutada ka karbis olevat alustamisjuhendit ning vaadata põhjalikke videojuhiseid meie YouTube'i kanalilt*.

* Need juhised on loodud teie mugavusele mõeldes, kuid ei asenda kasutusjuhist ega ohutusjuhiseid, mida peate läbi lugema ning mõistma.



Jälgige oma muruplatsi ning planeerige paigaldust

Paigaldage laadimisjaam

Matke piirdekaabel

Ühendage laadimisjaam vahelduvvooluga

Käivitage Landroid. Kontrollige ning seadke end niitmiseks valmis

2.1 IGA PLANEERIMISELE KULUTATUD MINUT SÄÄSTAB 10 MINUTIT TÖÖAEGA

Landroidi paigaldamine on veelgi lihtsam, kui olete endale selgeks teinud, mida peate selleks tegema. Korralik planeerimine aitab teil vältida vigade tegemist või paigalduse ümber tegemist.

2.1.1 Maapinnal või maetud?

Landroidi piirdekaabel on mõeldud teie muru pinnale paigaldamiseks. See on juba esimesel päeval peaaegu silmaga nähtamatu ning mattub paari nädala jooksul mulda. Kui soovite sellegipoolest kaablit matta, soovitame selle kõigepealt vaiadega maha kinnitada ning paigaldust testida, viies selleks Landroidi muruplatsile. See võimaldab kergesti kõike kontrollida ning vajadusel enne kaabli matmist selle üldplaani muuta. Ärge matke kaablit sügavamale kui paar sentimeetrit, et kaabel võtaks vastu tugeva signaali.

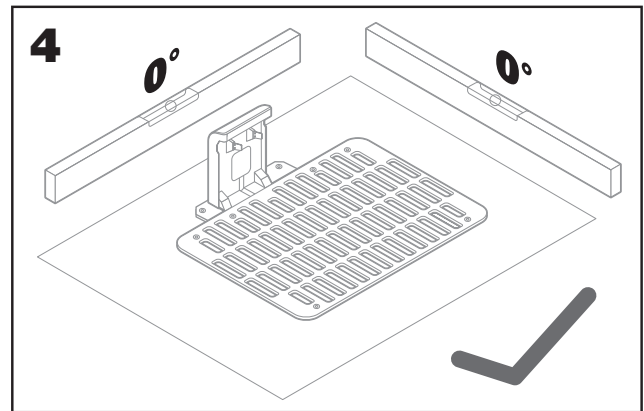
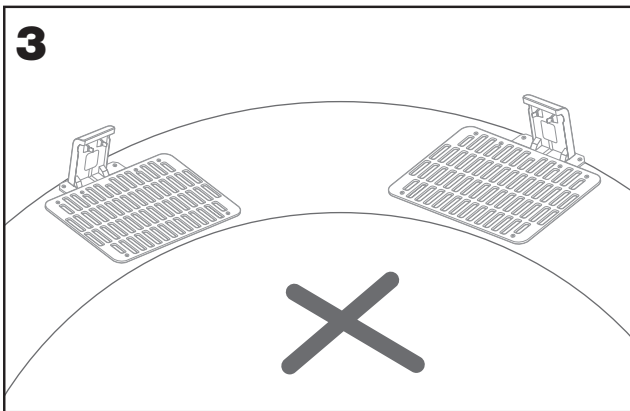
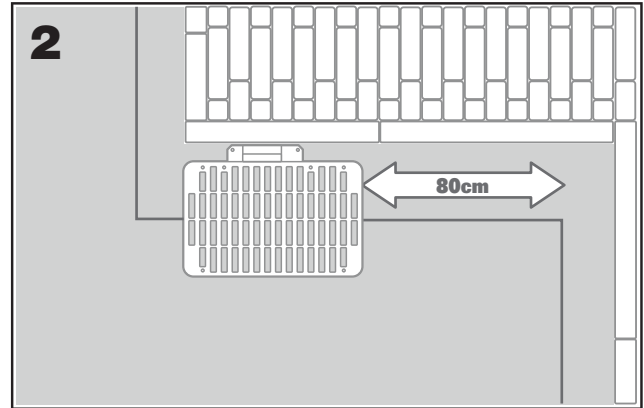
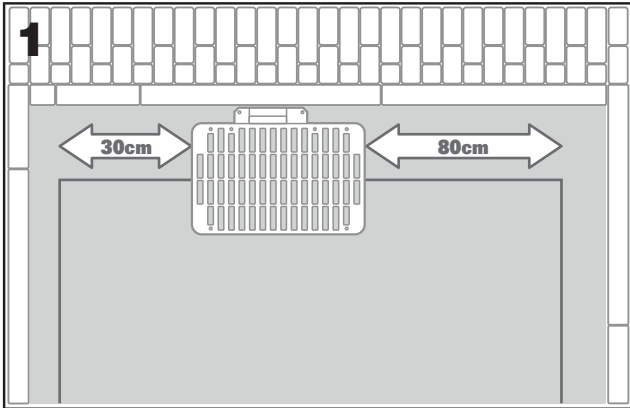
2.1.2 Planeerige laadimisjaama asukohta

Laadimisjaam on koht, kus teie Landroid akusid laeb. See töötab ka parklana, kus seade niitmisseansside vahel puhkab. Otsige sobiv asukoht, pidades seejuures meeles järgmist:

- A. See peab olema voolu all, mistõttu ei tohiks see olla üle 10 m kaugusel vahelduvvooluallikast
- B. Valige võimaluse korral varjualune, sest akudele ja laadijatele ei meeldi ülekuumenemine
- C. Efektīvse dokkimise tagamiseks peab põhi olema lamedal pinnal
- D. Vältige asukohti, mis on vihmutile lähedal

Võite laadimisjaama murule või kõvale pinnale (nt jalgteele) paigaldada, peaasi et muru ja kõva pind oleks samal kõrgusel ning astmeteta.

Jaama sisenemiseks vajab Landroid vähemalt 80 cm pikkust sirget teed laadimisjaama ees. Väljumispoole peal vajab seade enne vasakpöörde tegemist vähemalt 30 cm sirget teed (joonis 1). Kui esimene pööre toimub paremsuunal, ei ole otsene sirge tee vajalik (joonis 2).

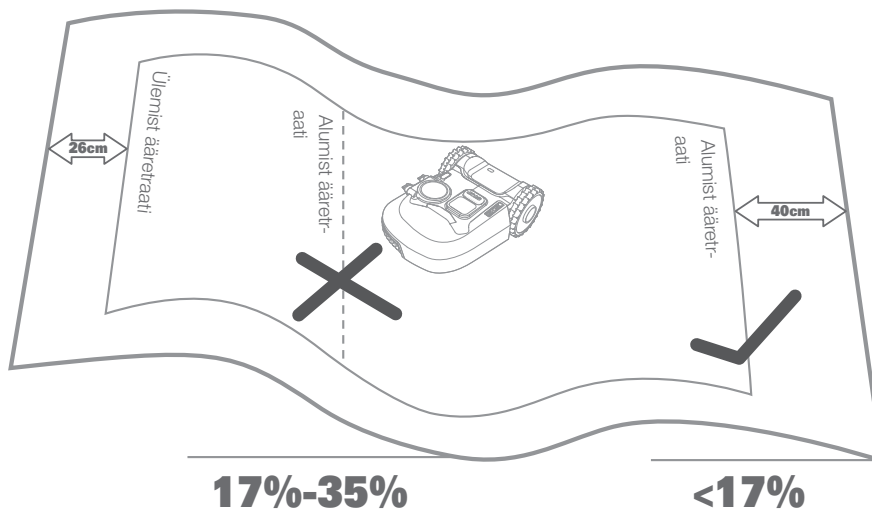


2.1.3. Laadimisjaama kontrollnimekiri:

- A. vahelduvvoolu läheduses
- B. varjualuses
- C. sirge tee sisenemisel; vajaduse korral sirge tee väljumisel
- D. lame pind
- E. läheduses pole vihmuteid

2.1.4 Äärraatide paigaldamine kallakutele

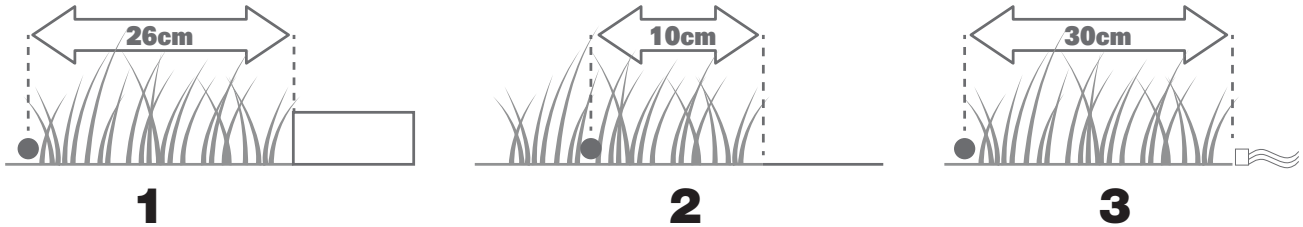
Ülemist äärraati EI TOHI paigaldada kallakutele, mis on järsemad kui 35% (20°). Alumist äärraati EI TOHI paigaldada kallakutele, mis on järsemad kui 17% (10°), ja see peaks olema paigaldatud vähemalt 40cm kaugusele takistustest, mis järsemal kui 17% kallakul.



2.1.5 Planeerige piirdekaabli paigaldamist

Kaabel peab olema paigaldatud muru äärest teatud kaugusele. Kaugus muutub sõltuvalt sellest, mis teisel pool äärt asub. Teie muruplatsi erinevatel osadel võivad olla erinevad reeglid:

- A. Kui muruplatsi äär piirneb astmega, paigaldage kaabel äärest 26 cm kaugusele. (joon 1)
- B. Kui muruplatsi äär piirneb samal kõrgusel asuva jalgrajaga, paigaldage kaabel äärest 10 cm kaugusele. (joon 2)
- C. Kui muru äär on basseini või muu veekogu ääres, paigaldage ääretraat sellest vähemalt 30cm kaugusele. (joon 3)



Kui Teie muruala piirneb naabri omaga, kus samuti robotniiduk töötab, tuleb traadid üksteisest vähemalt 1m kaugusele paigaldada, et vältida võimalikke segadusi.

2.2 JÄLGIGE OMA MURUPLATSI

Landroid on loodud hooldama ka kõige keerulisemaid muruplatse. Uurige visuaalselt oma muruplatsi, et saaksite probleemideta piirdekaablit paigaldada.

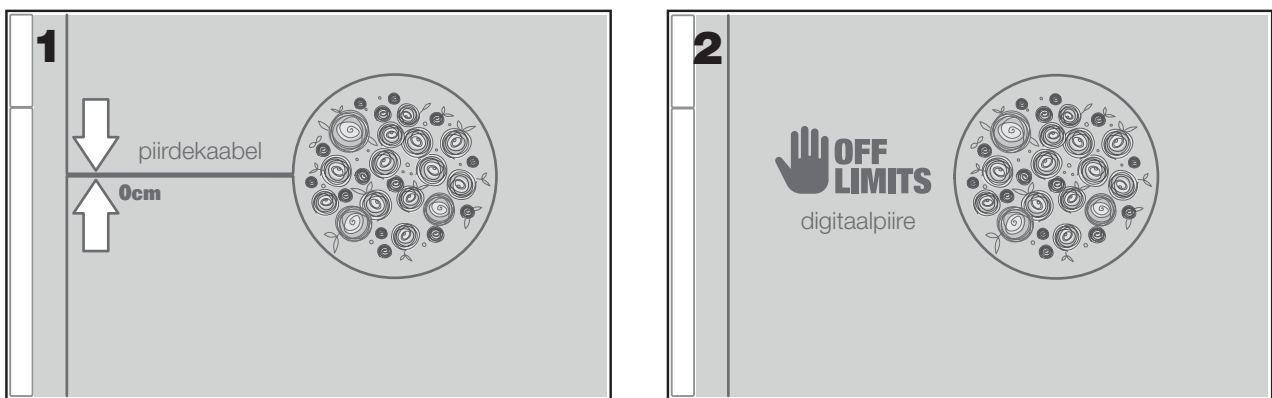
2.2.1 Tuvastage keelatud piirkonnad

Te ei taha, et robotniiduk lilli niidab, tiiki kukuks või maast välja ulatuvad puujuured ära peenestaks. Tuvastage need piirkonnad ning ümbritsege need piirdekaabliga, et takistada Landroidil nendeni pääsemist.

Piirdekaabel on üks suur aas, mis on mõlemast otsast laadimisjaamaga ühendatud. Seetõttu peate äärest haarama ühe kaabli otsa, kaitstava ala sellega ümbritsema ning seejärel kaabli tagasi ääreni viima (vt joonist 1).

Kui ümbritsetavad alad on teie muruplatsi äärest liiga kaugel või kui teil on vaja kaitsta mitmeid piirkondi ja puujuuri, võib see traditsiooniline meetod olla üpriski aeganõudev.

Heaks alternatiiviks on Landroidi Off-Limits valik. Selle abil saate keelatud alad ümbritseda Off-Limits digitaalpiirdega, mida ei ole vaja aasaga ühendada (joonis 2). Off-Limits digitaalpiire sobib suurepäraselt ka hooajalise varustuse (nt batuudi) või muruplatsi uue kujunduse kaitsmiseks ilma seejuures piirdekaablit ümber tõstmata.



2.2.2 Tuvastage takistused

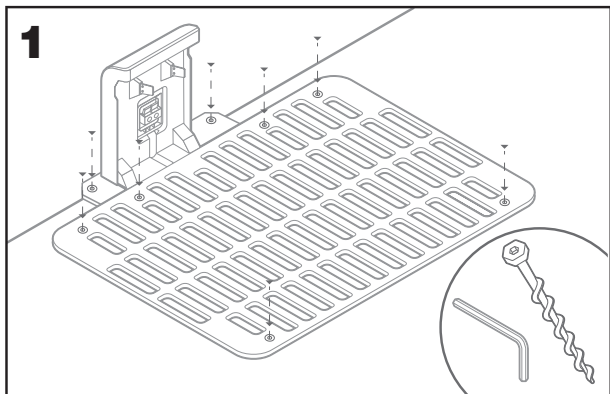
Landroidi pörkeandur tunneb ära tahked kehad, sealhulgas puud, mööbli jms ning neid ei pea kaabliga ümbritsema. Kui teie muruplatsil on mitmeid takistusi ning üksteise lähedal asetsevad puud, soovitame soetada Landroid ACS valiku, mis on nutikas ultrahelil töötav autopiloot — see juhib teie Landroidi takistustest mööda ning ei lase sel nende vastu põrgata.

2.3 NÜÜD ON AEG KÄISED ÜLES KÄÄRIDA. KUI SEE ON VALMIS, ON SEE PÄRISLT VALMIS!

Nüüd, kui olete paigalduse viimse detailini läbi mõelnud, olete alustamiseks valmis. Enne alustamist võiksite veel viimast korda vana muruniidukit kasutada, et muruplatsi puhastada ning paigaldust lihtsustada.

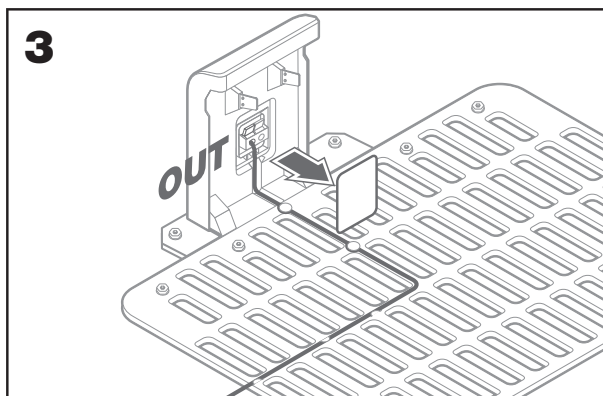
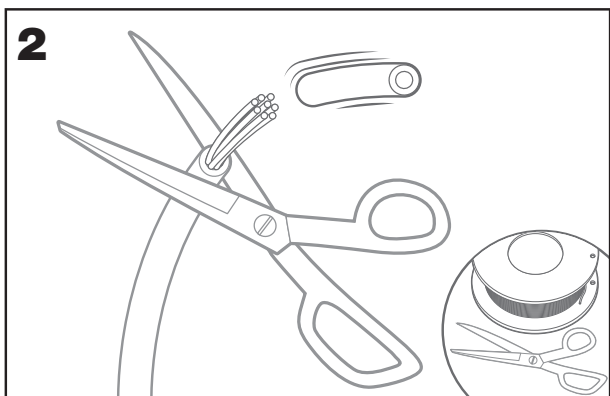
2.3.1 Fikseerige laadimisjaam valitud asukohta

- A. Kinnitage põhi kaasasolevate kruvide ja kuuskantvõtme abil maapinnale (joonis 1).
- B. Kui paigaldate põhja tugevale pinnale, fikseerige see pruntide ja tüüblitega (pole kaasas).



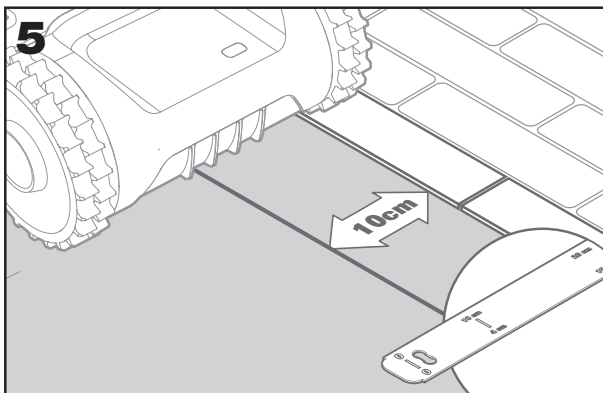
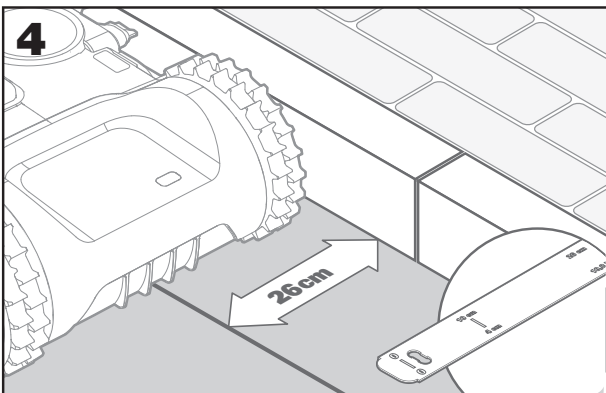
2.3.2 Ühendage piirdekaabli üks ots laadimisjaama

- A. Koorige kääride abil kaabli ots (joonis 2)
- B. Avage plastuks ja sisestage kaabli kooritud ots vasakpoolsesse punasesse klambrisse (joonis 3)
- C. Tõmmake kaabel läbi põhjal asuva ava joonisel 3 näidatud viisil



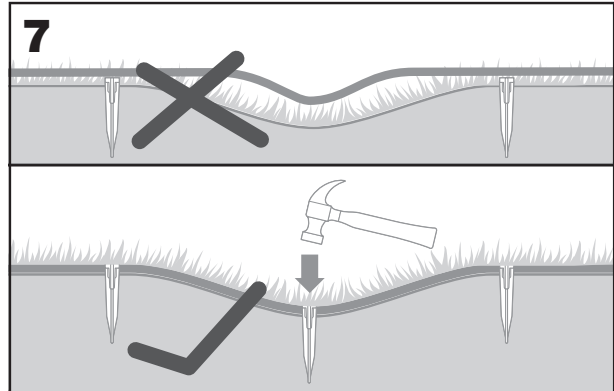
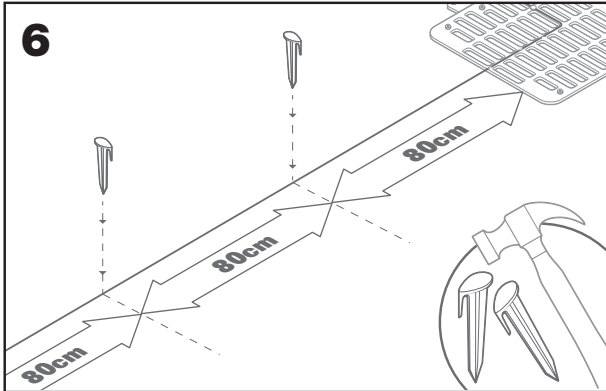
2.3.3 Asetage piirdekaabel muruplatsi ümbrusse

- A. Kasutage kaasasolevat mõõdikut, et määrata ääre ja kaabli vaheline kaugus
- B. Kui teie muruplats piirneb astmega, hoidke kaablit astmest 26 cm kaugusel (joonis 4)
- C. Astmete puudumisel hoidke kaablit äärest 10 cm kaugusel (joonis 5)



2.3.4 Kinnitage kaabel vaiade abil maasse

- A. Vaiade vahele peaks jääma umbes 80 cm (joonis 6)
- B. Veenduge, et kaabel oleks alati vastu maad (joonis 7)

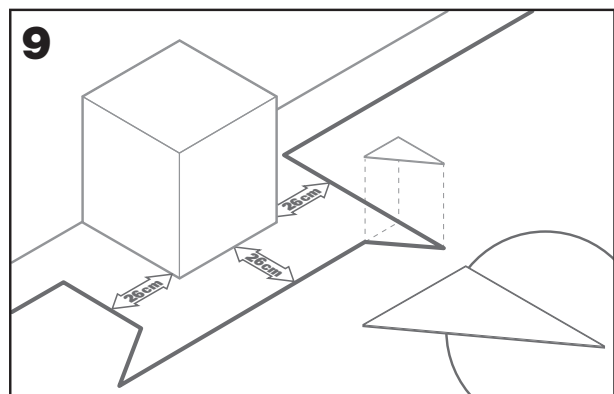
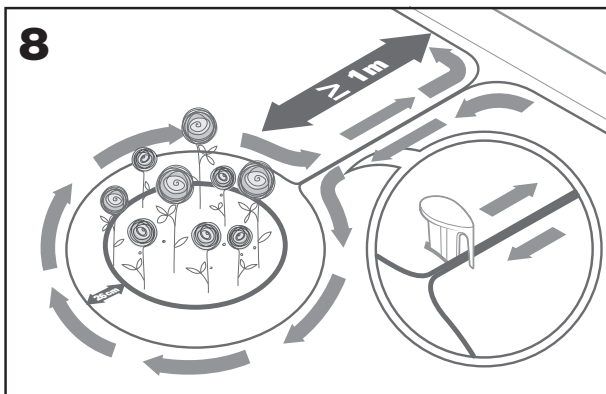


2.3.5 Vajadusel asetage maha välisääre tähistused

- A. Kaitske peenraid, tiike, puujuuri ning muid alasid, ümbritsesed need piirdekaabliga
- B. Liikuge õige nurga all servast eemale, et ulatuda kaitstava alani
- C. Ümbritsege ala kaabliga kuni olete „saarekese“ sulgenud, hoides seejuures 26 cm vahemaad
- D. Paigaldage kaablit alati päripäeva. Kaabli valesuunaline paigaldamine põhjustab niiduki „saarekesele“ sõitmise
- E. Liikuge sama teed pidi tagasi muruplatsi ääreni

2.3.6 Bertelseni meetod: kuidas saavutada 90° nurki nii, et nurgad jäävad muruplatsi poole

Kui teie muruplatsil on 90° nurki, mis jäävad muruplatsi poole, kasutage Landroidi töö lihtsustamiseks Bertelseni joonlauda (see ennetab Landroidil manööverdamisel muruplatsi äärel asuva takistuse vastu pörkamist).



2.3.7 Sulgege aas

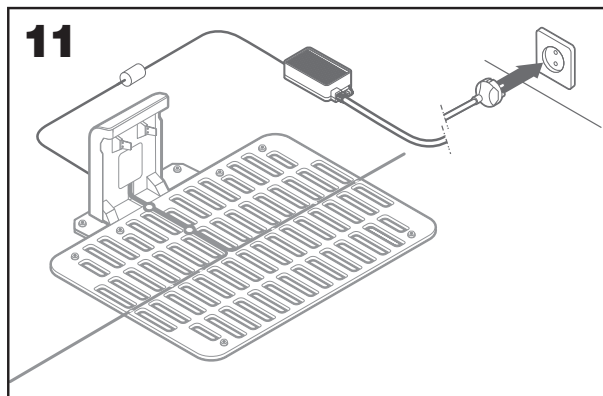
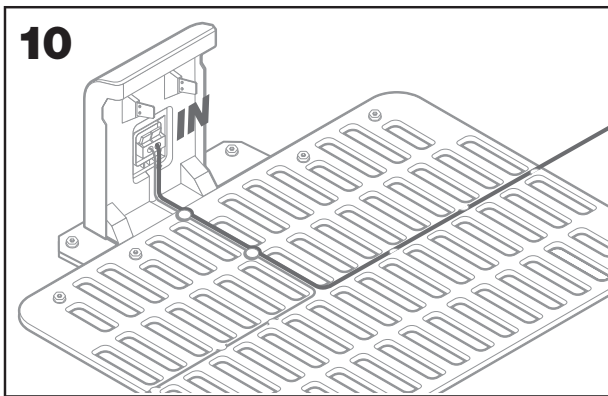
Kui olete piirdekaabli paigaldamise muruplatsi äärtesse lõpetanud, jõuate tagasi laadimisjaama.

- A. Tõmmake kaabel läbi põhjal asuva ava klambrini (joonis 10)
- B. Lõigake ülejäänud kaabel maha ning koorige kaabliotsa kääridega
- C. Sisestage kooritud ots musta parempoolsesse klambrisse

2.3.8 Viimased sammud

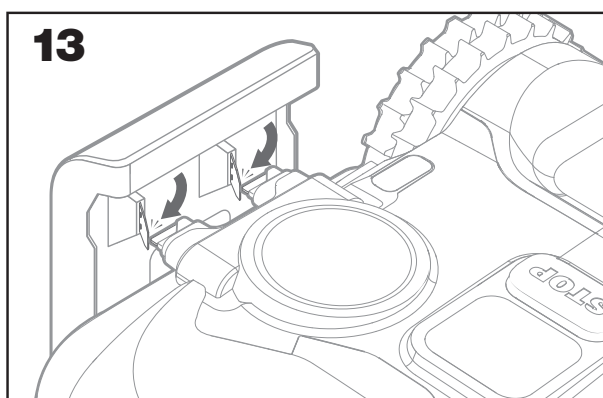
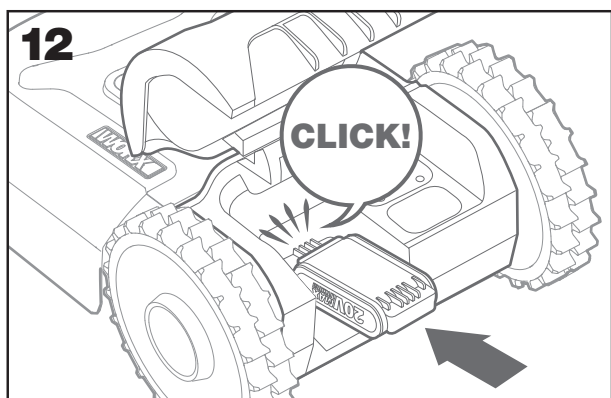
Igav osa on nüüd läbi! Nüüd on veel mõned sammud jäänud:

- A. Ühendage laadimisjaam peamisesse vahelduvvoolu stepslisse (joonis 11)
- B. Kui kõik on hästi, süttib roheline LED-tuli
- C. Kui aasas on tekkinud probleem, näiteks on kaabel katki või otsad pole korralikult klambriga kinnitatud, süttib punane LED-tuli. Kontrollige, et kõik oleks korrektne ning probleemi püsimisel uurige korduma kippuvaid küsimusi



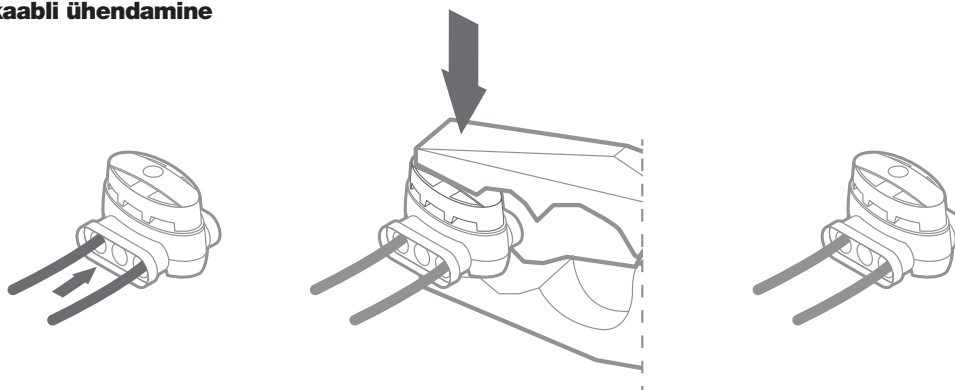
D. Avage Landroidi tagaosa ning lükake avasse PowerShare aku, kuni kuulete klõpsatust (joonis 12)

E. Paigaldage Landroid laadijasse, veenduge, et alusega on saavutatud korralik ühendus. (joon. 13). LED vilgub roheliselt, kui aku on täislaetud, jääb LED roheliselt põlema.



F. Lubage Landroidil akut mõnda aega laadida. Võite laadimise ajal ärateenitult puhata: uurige järgnevaid juhiseid ning ühendage Landroid enda Wi-Fi võrku.

2.3.9 Piirdekaabli ühendamine



Landroidi karbist leiate kaks väikest veekindlat piirdekaabli konnektorit. Neid saab kasutada järgnevatel viisidel:

A. Kui teie muruplats on eriti suure ümbermõõduga ning vajate paigalduse lõpetamiseks lisakaablit. Palun ärge kasutage üle 300 m piirdekaablit: see on piirdekaabli ümbermõõdu maksimaalne pikkus

B. Kui lõikate kogemata piirdekaablisse ning peate seda parandama

C. Kui otsustate tulevikus oma aeda ümber teha ning soovite algselt paigaldatud piirdekaablit mujale asetada
Konnektorid on veekindlad ning optimaalse elektriühendusega.

D. Sisestage mõlemad kaabli otsad kahte kolmest konnektori avast (kaablit ei pea koorima)

E. Lükake kaablid sisse, kuni mõlemad otsad on konnektori teiselt poolt nähtavad

F. Suruge konnektorit tangide abil tugevalt kokku

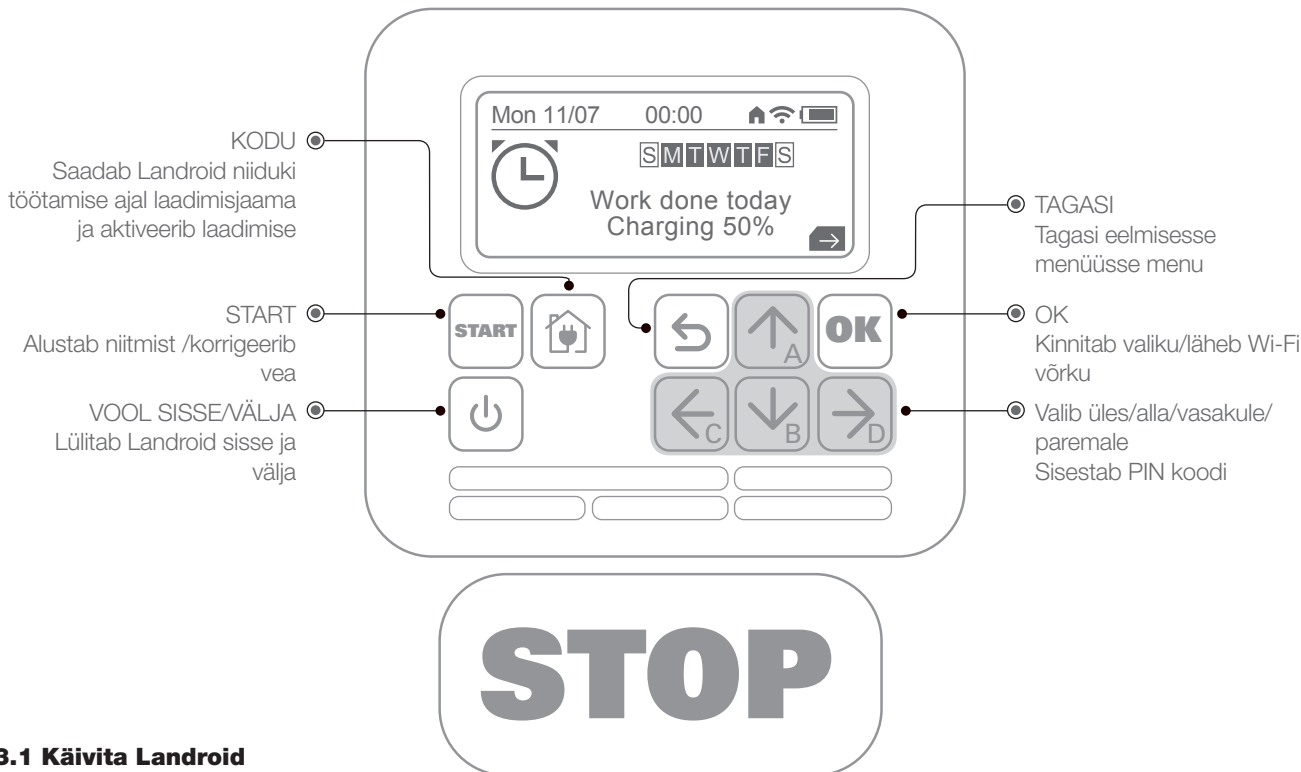
⚠ Tähelepanu: me ei soovita piirdekaablit konnektori külge isoleeriva teibiga teipida ega kruviklemmlistuga kinnitada. Mõne aja möödudes võib vooluahel niiske mulla oksüdeerimise tõttu puruneda.

3.NÜÜD ALGAB PÕNEV OSA! LANDROIDI ESIMEST KORDA KÄIVITAMINE.

Saage juhtpaneeliga tuttavaks

Landroidi juhtpaneelilt leiade kõik minimalistliku disainiga võtmefunktsioonid.

Edasijõudnud funktsioonide kasutamiseks pakub Landroidi nutitelefon rakendus rikkalikuma välimusega kasutajaliidest.



3.1 Käivita Landroid

- A. Asetage Landroid piirdekaabli aasa sisse
- B. Vajutage sisse/välja nuppu, kuni ekraan süttib
- C. Sisestage vaikimisi PIN-kood AAAA, vajutades selleks neli korda ↑ (A) klahvi. Ekraanile ilmub "PIN code OK"
- D. Vajutage START nuppu, seejärel vajutage OK. Landroid alustab niitmist
- E. Võite Landroidi igal ajal seisata, vajutades selleks STOP nuppu
- F. Landroidi laadimisjaama saatmiseks vajutage koduklahvi ning seejärel vajutage OK

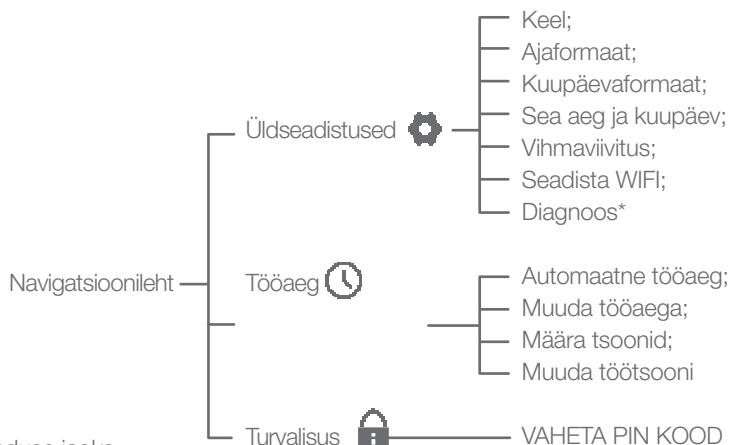
4. LANDROIDI JUHTPANEEL

Edasijõudnud funktsioonid sisseehitatud liideses

Vaatamata minimalistlikule disainile saate sisseehitatud juhtpaneelist seadistada mitmeid edasijõudnud funktsioone.

Parima kasutajakogemuse saavutamiseks soovime siiski kasutada tasuta Landroidi rakendust, millel on palju rikkalikum ning intuitiivsem liides.

4.1 Seadistus



*Ainult müügijärgse teeninduse jaoks

5. LANDROIDI ÜHENDAMINE INTERNETIGA

Milleks peaks Landroidi ühendama

Landroid on IoT (nutistu) seade. Selleks, et enda Landroidist viimast võtta ning seda alati uusimale tarkvarale uuendada peab see olema teie Wi-F võrgu kaudu Internetiga ühendatud,

5.1 ENNE ALUSTAMIST

5.1.1 Laadige rakendus alla

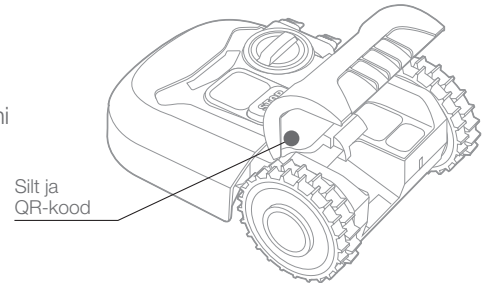
Kõigepealt laadige alla tasuta Landroidi rakendus. Leiate selle Androidi või Apple rakenduse poest



5.1.2 Veenduge, et teil oleks:

- A. Enda Wi-Fi võrgu parool
- B. Landroidi seerianumber: leiate selle sildiit, mis asub seadme tagumise kapoti alumisel küljel.

Kui te ei soovi 20-numbrilist seerianumbrit käsitsi sisestada, võite selle enda nutitelefoni QR-koodi lugeja abil skannida.



5.1.3 Kontrollige enda Wi-Fi sätteid

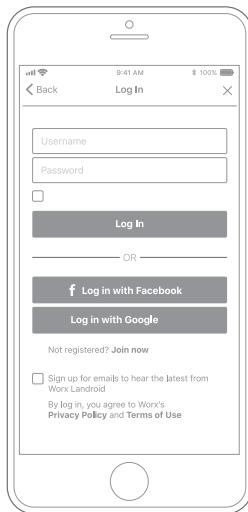
- A. Landroid töötab 2.4GHz Wi-Fi signaaliga
- B. Veenduge, et Landroid oleks teie nutitelefoni samas Wi-Fi võrgus
- C. Veenduge, et vahemaa teie Landroidi, nutitelefoni ja ruuteri vahel oleks ühendamise ajal minimaalne

Märkus: kui Landroid liigub teie muruplatsi alale, kus on kehv või olematu Wi-Fi signaal, loeb Landroid rakendusest saadatud juhiseid alles siis, kui see liigub tagasi hea signaaliga alasse.

6. KUIDAS ÜHENDADA LANDROIDI INTERNETIGA

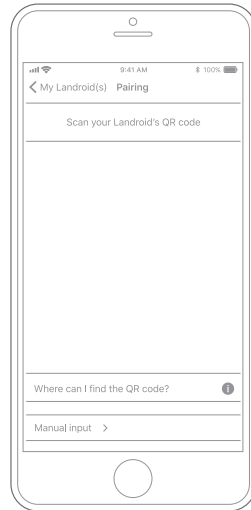
Käivitage rakendus ning järgige neid juhiseid.

1. Registreerige oma konto



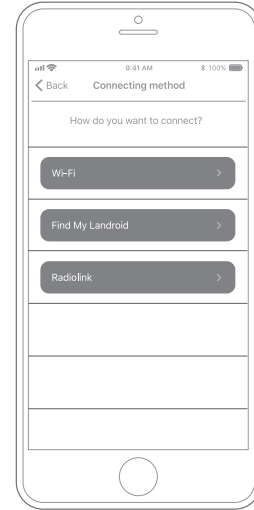
Registreerige oma konto, sisestades oma kasutajanimi ja parool või logides sisse läbi Facebooki/Google'i

2. Sisestage Landroidi seerianumber



Registreerige oma Landroid, sisestades käsitsi seerianumber või skannides QR-kood.

3. Valige oma võrk



Valige oma Wi-Fi võrk või ühendage Landroid Find My Landroid või RadioLink valikute abil

Kui teie Wi-Fi ühendus ei kata tervet muruplatsi, soovime osta Landroid RadioLink funktsiooni, mis pikendab signaali kuni 300m ulatuses. Alternatiivina võite soetada Find My Landroid funktsiooni, mis pakub peale sisseehitatud SIM-kaardi abil Landroidi Internetiga ühendamise ka võimalust niidukit jälitada, kui keegi peaks selle varastama.

7.LANDROIDI RAKENDUS SEE POLE VAID LIHTNE PULT

Ärge mõelge sellest kui puldist Rakendus on Worx Landroidi edasijõudnud ökosüsteemi tähtis osa, mis põhineb pilveandmetöötlusel ja tehisintellektil.

Tänu rakenduse liitreaalsuse funktsioonile saate enda muruplatsi täpset pindala mõõta. Selleks peate vaid muruplatsi ääres kõndima. Pärast ühendamist saab Landroid pilvest ligipääsu ainulaadsetele planeerimisjuhistele ning saab soorituse optimeerimiseks uusimat tarkvara alla laadida.

⚠ BRĪDINĀJUMS! Izlasiet visus drošības brīdinājumus un visus norādījumus. *Brīdinājumu un norādījumu neievērošana var izraisīt elektriskās strāvas triecienu, aizdegšanos un/vai nopietnu ievainojumu.*
Rūpīgi izlasiet norādījumus drošam darbam ar šo mašīnu.
Saglabāiet visus brīdinājumus un norādījumus vēlākai lietošanai.

1. KĀ LANDROID DARBOJAS

Šajā nodaļā palīdzēsīm jums labāk izprast, kā Landroid darbojas.

Landroid ir autonoma ierīce, kas spēj darboties pati. Tā zina, kad jādodas uz uzlādes bāzi, var sajukt, kad līst, var pati apstāties, ja sajūt, ka radusies problēma un zina, kā apstāties, pabrukt atpakaļ un pagriezties, ja atduras pret šķērslī. Lai novērstu negadījumus, Landroid arī automātiski pārtrauc asmeņu diska rotāciju, ja to paceļ no zemes.

1.1 Landroid uzlādējas pats



Kad Landroid nepieciešama uzlāde, tas pārtrauks pļaušanu un pretēji pulksteņrādītāja virzienam gar robežas vadu dosies uz uzlādes bāzi. Kad Landroid būs uzlādēts, tas, ievērojot pļaušanas grafiku, automātiski atsāks pļaušanu vai paliks uzlādes bāzē.

1.2 Robežu noteikšana



Landroid ir ieprogrammēts zāles pļaušanai pa zāliena perimetru divreiz nedēļā - Pirmdienās un Piektdienās. Ja vēlaties mainīt šo iestatījumu, varat to izdarīt ar savu viedtālruni vai izvēlnēm vadības paneļa sadaļā „Darba laiks - Pielagot darba laiku”. Vairāk par šo iestatījumu lasiet rokasgrāmatas beigās.

1.3 Lietus sensors



Landroid ir 100 % drošs lietošanai jebkuros laika apstākļos un priecājas strādāt ārā, tomēr slapjas zāles pļaušana nedos labāko galarezultātu. Landroid ir aprīkots ar lietus sensoru, kas dod ierīcei komandu pārtraukt pļaušanu un doties atpakaļ uz uzlādes bāzi.

1.4 Darba aizkave pēc lietus



Pēc lietus Landroid atsāk darbu, kad zāle vairs nav slapja. Noklusētais darba aizkaves laiks pēc lietus ir 180 minūtes. Varat šo iestatījumu mainīt Landroid lietotnē.

1.5 Ekstremālākos laika apstākļos



Pērkona negaisā aizsargājiet Landroid, atslēdzot uzlādes bāzes barošanu, atvienojot robežas vadu un pārlicinoties, ka Landroid uzlāde nevarēs notikt. Ziemā, īpaši ja ir ļoti auksts un daudz sniega, iesakām glabāt Landroid iekštelpās. Dažās valstīs piedāvājam Landroid ziemas apkopi, lai tas būtu gatavs darbam pavasarī. Lai uzzinātu vairāk, sazinieties ar savu Landroid izplatītāju vai meklējiet tīmekļa vietnē.

1.6 Vairs nekādas nopļautās zāles atlieku zālienā



Pļaujot katru dienu, Landroid nopļauj ļoti īsus zāles gabaliņus, ko nav nepieciešams pēc tam sakasīt. Šie zāles gabaliņi ir ideāls mēslojums zālienam. Bieža pļaušana ļauj zālienam izaugt biezākām un palīdz iznīcināt nezāles.

1.7 Nopļauj līdz pat malai



Landroid M un L modeļiem ir ciešas nopļaušanas funkcija. Īpašs malā novietots asmens spēj piekļūt zāliena malai, cik vien tuvu iespējams, tādēļ Jums atliek nogriezt tikai nelielu atlikušo zāles daļu vai tas nav nepieciešams vispār.

1.8 Pļaušanas augstums



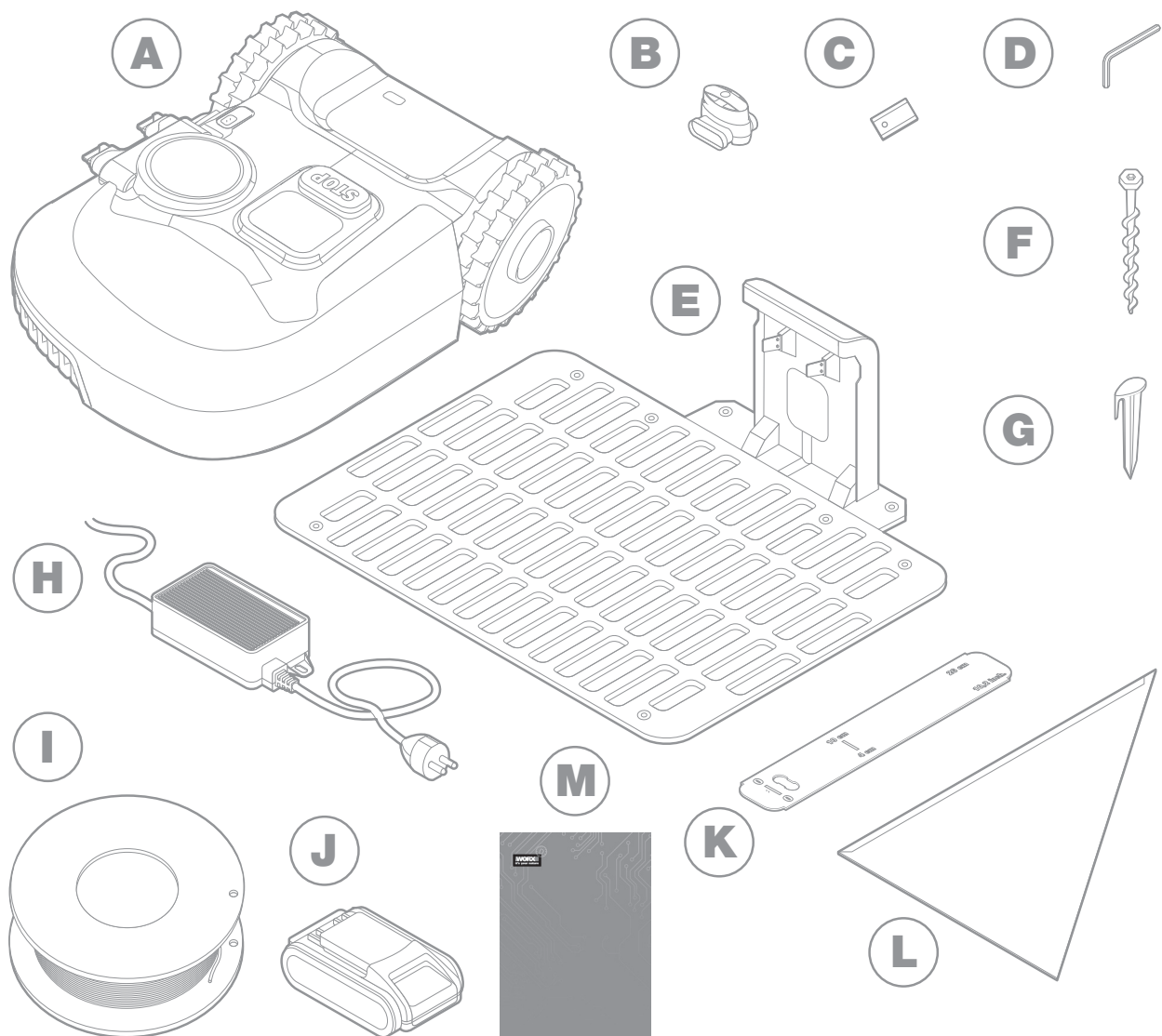
Pirms izmantojat Landroid pirmo reizi pārlicinieties, ka zāle nav garāka kā 10 cm. Ja tā ir garāka, pirms Landroid izmantošanas nopļaujiet to ar parasto zāles pļāvēju. Ja vēlaties ievērojami mainīt zāles garumu, iesakām darīt to pakāpeniski, mainot pļaušanas augstumu pa soļiem.

1.9 Drošība un PIN aizsardzība



Lai novērstu to, ka Landroid varētu izmantot nepiederošas personas, ierīci aizsargā PIN kods, ko iespējams vienkārši iestatīt.

KAS IETILPST KOMPLEKTĀ



Attēls ir paredzēts tikai atsaucei

A Worx Landroid

B Vadu savienotāj

C Rezerves asmeņu komplekti

D Sešstūra atslēga

E Uzlādes bāze

F Skrūves

G Vadu stiprinājumi

H Barošanas bloks

I Papildu vads

J 20V Akumulatori

K Robežas vada attāluma mērītāji

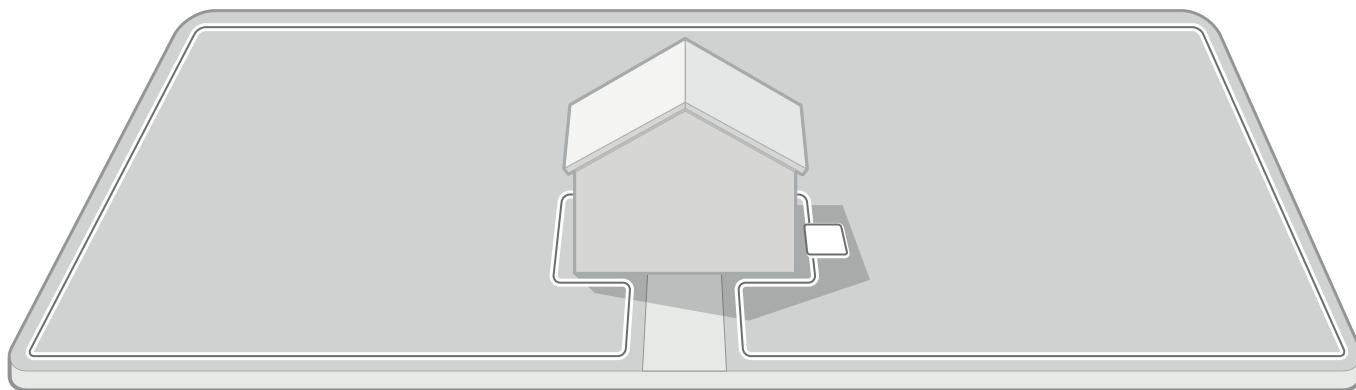
L Trīsstūra formas lineāls

M Rokasgrāmata

2. UZSTĀDĪŠANA

Jūsu Worx Landroid uzstādīšana būs vienkāršāka, ja sekosiet šiem norādījumiem. Viss, kas nepieciešams, ir uzlādes stacijas uzstādīšana un robežas vada ielikšana ap zāliena robežu. Papildu šai rokasgrāmatai varat izmantot arī Darba sākšanas rokasgrāmatu, ko atradīsiet plāvēja kastē un kurā iekļautas izsmeļošas video pamācības Youtube kanālā*.

* Šī informācija iekļauta jūsu ērtībai, bet neaizstāj rokasgrāmatu un drošības norādījumus, ko nepieciešams izlasīt un izprast.



Pārraugiet savu zālienu, lai izplānotu uzstādīšanu

Uzstādiet uzlādes staciju

Ielieciet robežas vadu

Pieslēdziet uzlādes staciju maiņstrāvai

Ieslēdziet un pārbaudiet Landroid. Viss gatavs pļaušanai

2.1 KATRA PLĀNOŠANAI VELTĪTĀ MINŪTE IETAUPĪS 10 MINŪTES DARBA

Landroid uzstādīšana ir vienkāršāka, ja jums ir skaidrs, kas jādara. Pareiza plānošana palīdzēs arī izvairīties no kļūdām vai atkārtotas uzstādīšanas darbu veikšanas.

2.1.1 Uz virsmas vai ierakts?

Landroid robežas vads izstrādāts uzlikšanai uz zāliena virsmas. Gandrīz neredzams jau no pirmās dienas tas ieguls zemē dažu nedēļu laikā. Ja vēlēšities vadu ierakt, ieteicams to vispirms pieslēgt elektrībai un pārbaudīt, vai tas darbojas, virzot Landroid gar zāliena perimetru. Tas ļaus vienkārši visu pārbaudīt un, ja nepieciešams, mainīt vada novietojumu pirms tā ierakšanas. Ierociet vadu ne vairāk kā dažus centimetrus zem zemes, lai nodrošinātu labu signālu.

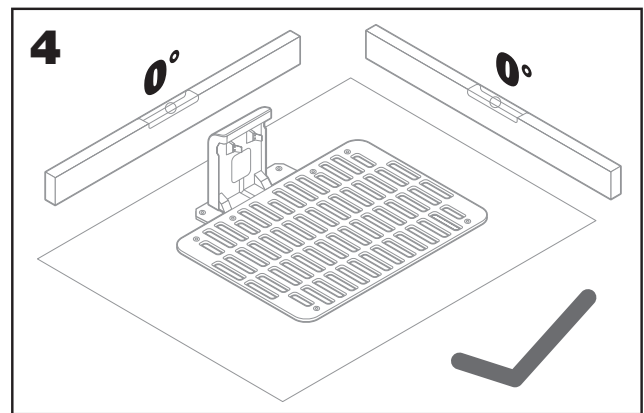
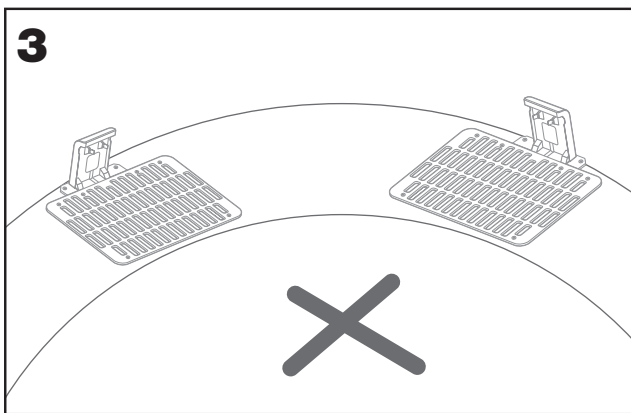
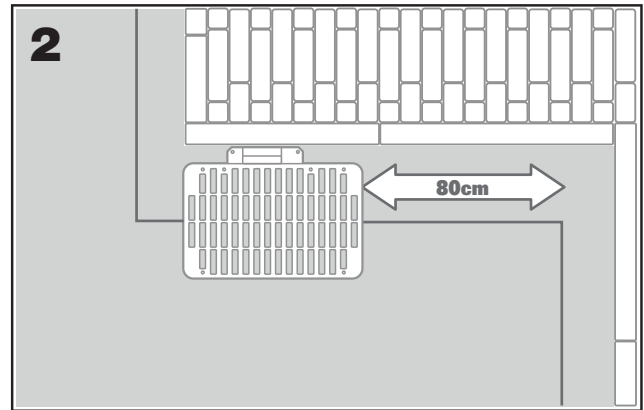
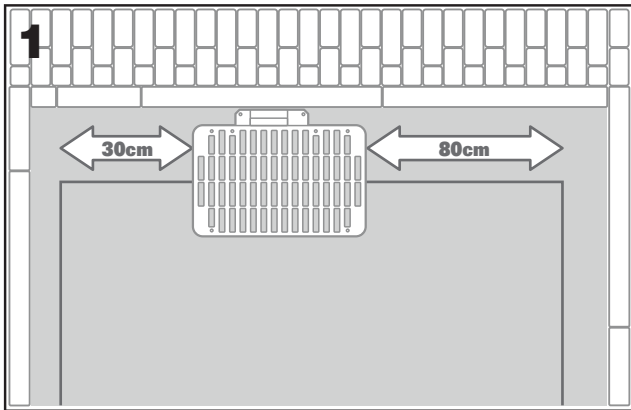
2.1.2 Uzlādes stacijas atrašanās vietas plānošana

Uzlādes stacija ir vieta, kurp Landroid dosies, lai uzlādētu akumulatoru. Tā ir arī Landroid stāvvietā, kur tas atpūšas starp pļaušanas reizēm. Atrodiet uzlādes stacijai piemērotu vietu, ņemot vērā šādus nosacījumus:

- A. stacijai nepieciešama enerģijas padeve, tādēļ nevajadzētu to novietot tālāk par 10 m no maiņstrāvas avota;
- B. ja iespējams, izvēlieties ēnainu vietu, jo akumulatori un lādētāji nedrīkst pārkarst;
- C. bāzei jāatrodas uz līdzenas virsmas, lai plāvējs var tajā iebraukt;
- D. izvairieties no vietām, kas atrodas tuvu zāliena laistītājiem.

Varat novietot uzlādes staciju savā zālienā vai uz cietas virsmas, piemēram, uz celiņa, ja zāliens un cieta virsma ir vienā līmenī (nav paaugstinājumu, pakāpienu).

Lai iebrauktu stacijā, Landroid stacijas priekšā nepieciešams vismaz 80 cm garš taisns piebraukšanas ceļš. Izejas pusē tam pirms kreisā pagrieziņa nepieciešams vismaz 30 cm garš taisns ceļš (1. att.). Ja pagrieziens ir pa labi, nav nepieciešams taisns izejas ceļš (2. att.).

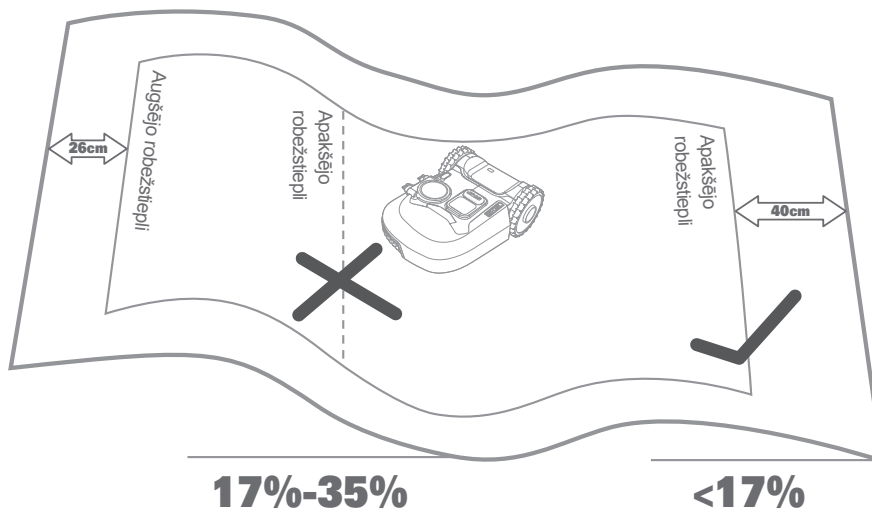


2.1.3 Kontrolsaraksts uzlādes stacijas uzstādīšanai:

- A. maiņstrāvas avota tuvumā;
- B. ēnā;
- C. taisns ieejas ceļš, taisns izejas ceļš, ja nepieciešams;
- D. līdzena zeme; tuvumā nav
- E. laistīšanas iekārtu.

2.1.4 Robežstieples novietojums nogāzēs

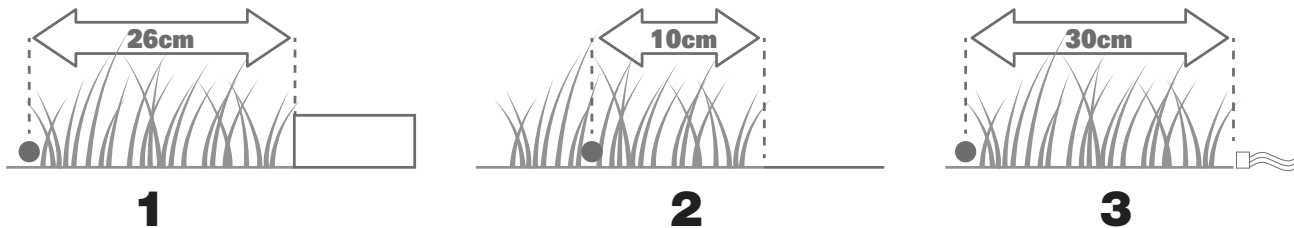
Augšējo robežstiepli NEDRĪKST novietot nogāzēs ar slīpumu lielāku par 35% (20°). Apakšējo robežstiepli NEDRĪKST novietot uz nogāzēm, kas ir stāvākas par 17% (10°), un, novietojot to uz slīpuma, kas ir 17%, tas jānovieto vismaz 40 cm attālumā no visiem šķēršļiem.



2.1.5 Robežas vada ielikšanas plānošana

Vads jānovieto noteiktā attālumā no zāliena malas. Šis attālums mainās atkarībā no tā, kas ir otrā robežas pusē. Dažādas zāliena daļas var robežoties ar atšķirīgām zonām:

- A. Ja zāliens robežojas ar pakāpienu – ielieciet vadu 26 cm no malas. (1. attēls)
- B. Ja zāliens robežojas ar ceļiņu tādā pašā līmenī kā zāliens – ielieciet vadu 10 cm no malas. (2. attēls)
- C. Ja zāliena mala robežojas ar baseinu: turiet vadu vismaz 30 cm attālumā no malas.. (3. attēls)



Ja jūsu zāliens robežojas ar kaimiņa zālienu, kur izmanto robotizēto plāvēju, novietojiet savu vadu vismaz 1 m attālumā no kaimiņa stieples, lai izvairītos no iespējamiem traucējumiem.

2.2 PĀRRAUGIET SAVU ZĀLIENU

Landroid izstrādāts, lai uzturētu vissarežģītākos zālienus. Veiciet vizuālu sava zāliena pārbaudi, lai sagatavotos robežas vada uzstādīšanas bez liekām problēmām.

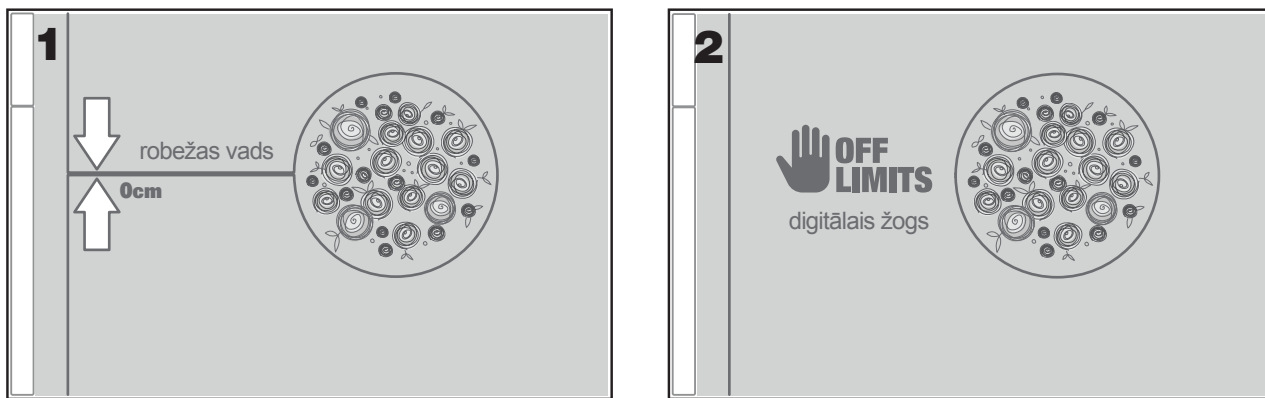
2.2.1 Identificējiet nepļaujamās zonas

Jūs nevēlaties, lai jūsu robotizētais plāvējs plauj ziedus, iebrauc dekoratīvajā dīķī vai uzbrauc uz no zemes izlīdušām koku saknēm. Identificējiet šīs zonas un norobežojiet ar robežas vadu, lai neļautu Landroid tajās iekļūt.

Robežas vada abi gali ir savienoti ar uzlādes staciju, veidojot noslēgtu apli. Jums jāpaņem vads robežas vietā, jāliek tas virzienā uz zonu, ko vēlaties aizsargāt, ap to, un tad atkal jāliek virzienā atpakaļ uz robežu, kā tas parādīts 1. att.

Ja norobežojamās zonas atrodas tālu prom no zāliena robežas vai jānorobežo vairākas zonas, šai metodei būs nepieciešams daudz laika.

Labā alternatīva ir iegādāties Landroid Off-Limits. Šādā veidā varat vienkārši norobežot nepļaujamās zonas ar Off-Limits digitālo žogu, ko nav nepieciešams savienot ar robežas cilpu (2. att.). Off-Limits digitālais žogs lieliski noder arī, lai pasargātu vasaras sezonas dārza objektus (piem. batutu) vai izmaiņas dārza plānojumā bez nepieciešamības tos norobežot.



2.2.2 Identificējiet šķēršļus

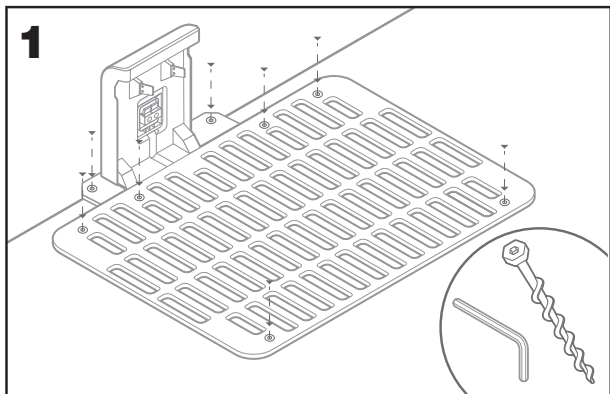
Landroid atduses sensors atpazīst cietus šķēršļus, piemēram, kokus, mēbeles un līdzīgus objektus, ko nav nepieciešams norobežot ar vadu. Ja zālienā ir vairāki šķēršļi un koki, kas atrodas tuvu viens otram, iesakām iegādāties Landroid ACS – inteliģentu ultraskaņas auto-pilotu, kas apvadīs jūsu Landroid ap šķēršļiem bez nepieciešamības tos norobežot.

2.3 LAIKS UZROTĪT PIEDURKNES. LABS DARBIŅŠ, KAS PADARĪTS!

Kad esat izplānojis uzstādīšanu visos sīkumos, laiks ķerties pie darba. Pirms sākat, var būt nepieciešams vēl pēdējo reizi izmantot savu veco zāles pļāvēju, lai sakārtotu zālienu un atvieglotu jaunā pļāvēja uzstādīšanu.

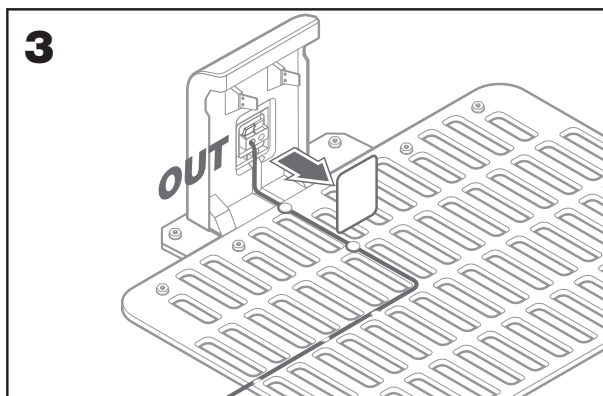
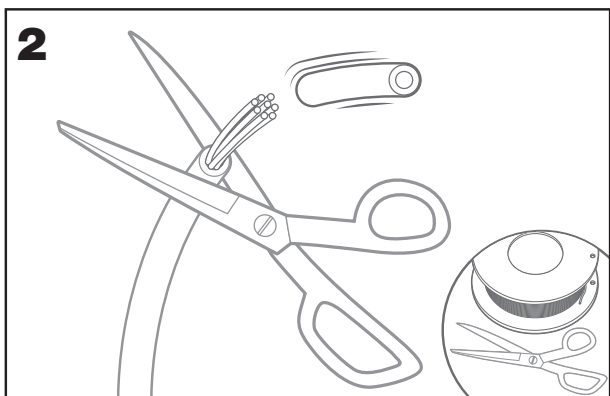
2.3.1 Nostipriniet uzlādes staciju izvēlētajā vietā

- A. Nostipriniet bāzi uz zemes ar pievienotajām skrūvēm, izmantojot komplektā iekļauto sešstūra atslēgu (1. att.).
- B. Ja novietosiet bāzi uz cietas virsmas, nostipriniet to ar spraudni un skrūvju stiprinājumiem (neietilpst komplektā).



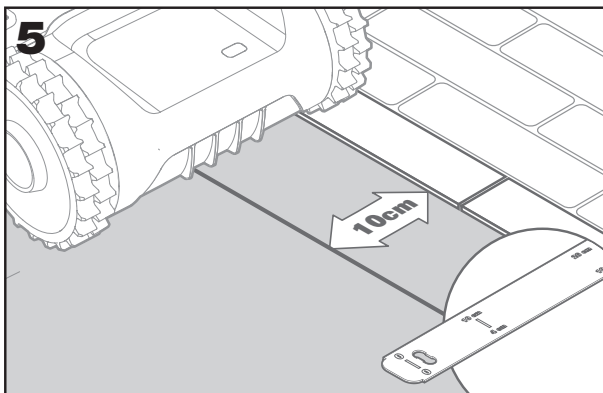
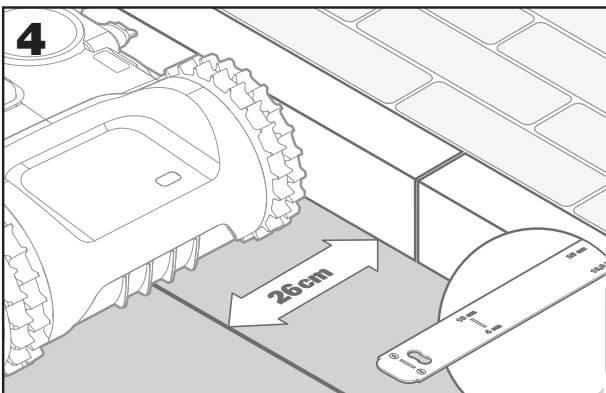
2.3.2 Savienojiet vienu robežu vada galu ar uzlādes staciju.

- A. Noņemiet vada gala izolāciju ar šķērēm (2. att.).
- B. Atveriet plastmasas vāciņu un ievietojiet atkailināto vada galu kreisajā spailē (3. att.).
- C. Izlieciet vadu pa pamata rievām, kā tas parādīts 3. att.



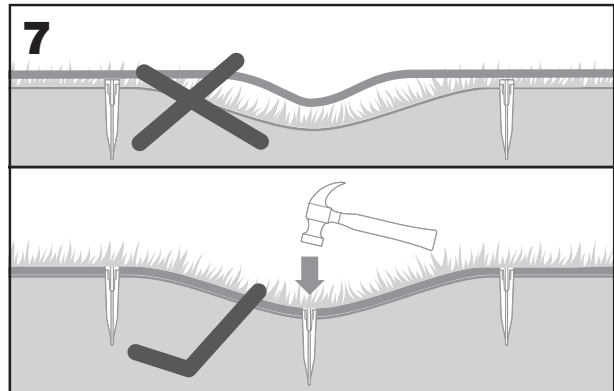
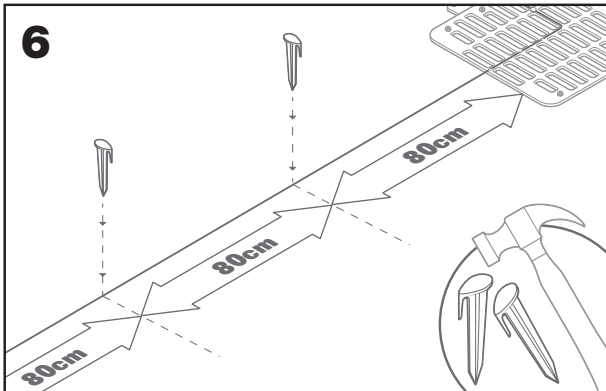
2.3.3 Izlieciet robežas vadu ap zālienu.

- A. Lai izmērītu attālumu no vada līdz malai, izmantojiet komplektā iekļauto attāluma mērītāju.
- B. Ja zāliena malā ir pakāpiens, lieciet vadu 26 cm no tā (4. att.).
- C. Ja pakāpiena/ paaugstinājuma nav, lieciet vadu 10 cm no malas (5. att.).



2.3.4 Nostipriniet vadu pie zemes ar tapiņām.

- A. Lieciet tapiņas apmēram 80 cm attālumā vienu no otras (6. att.).
- B. Pārlicinieties, ka vads visur cieši pieguļ zemei (7. att.).

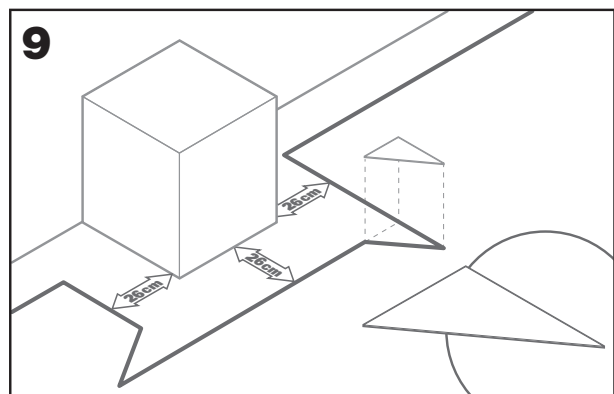
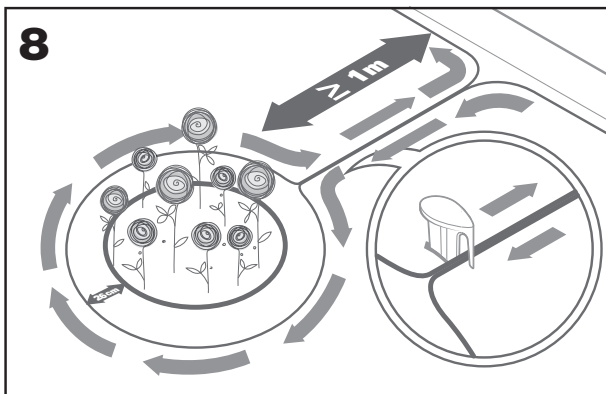


2.3.5 Ja nepieciešams, izveidojiet arī norobežotās zonas zālienā.

- A. Norobežojiet puķu dobes, dīķus, koku saknes un citas zonas, ap tām apliekot robežas vadu.
- B. Lai sasniegtu norobežojamo zonu, lieciet malu taisnā leņķī.
- C. Aplieciet vadu aplī ap zonu, ievērojot 26 cm distanci no zonas malas.
- D. Vienmēr lieciet vadu pulksteņrādītāja virzienā. Pretējā gadījumā plāvējs iebrauks norobežotajā zonā.
- E. Atgriezieties ar vadu uz zāliena malu pa to pašu ceļu.

2.3.6 Bertelsenas metode: kā izveidot ideālus 90° leņķus pret zālienu.

Ja pret zālienu ir 90° leņķi, vada ielikšanai izmantojiet komplektā pievienoto trīsstūra lineālu. Tādējādi palīdzēsiet Landroid veikt ideālu pagriezienus (un samazināsiet risku, ka Landroid, veicot manevru, saskaras ar šķērslī uz mauriņa robežas).



2.3.7 Noslēdziet cilpu

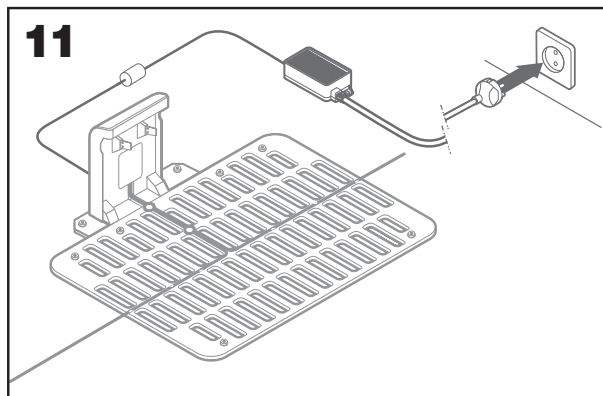
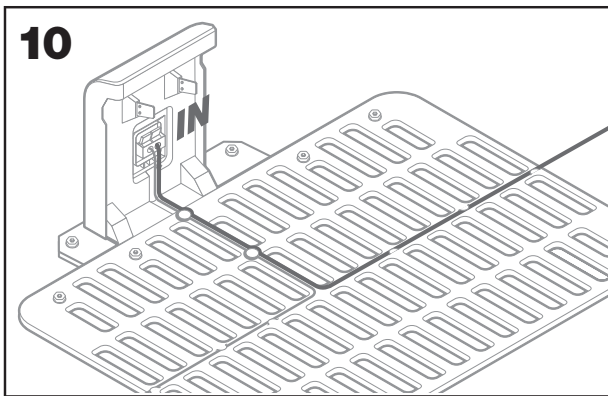
Kad vads aplikts ap zāliena perimetru, būsiet nomācis atpakaj pie uzlādes bāzes.

- A. Izlieciet vadu pa pamata rievām līdz skavai (10. att.).
- B. Nogrieziet lieko vadu un noņemiet izolāciju ar šķērēm.
- C. Ievietojiet kailo vadu melnajā labajā skavā.

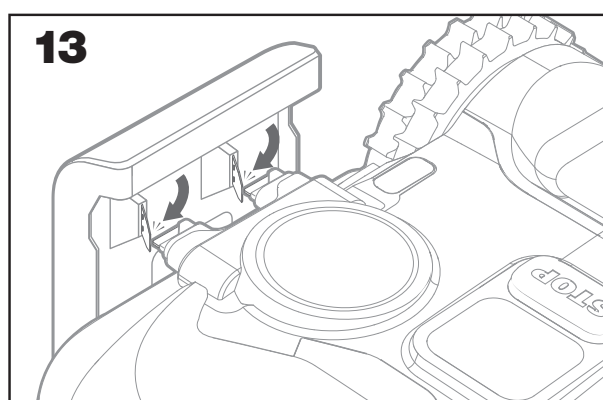
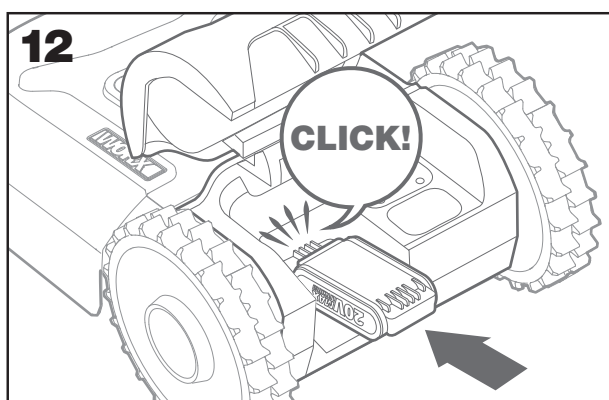
2.3.8 Pēdējie soļi

Garlaicīgākā darba daļa nu ir paveikta! Palikuši tikai vēl daži soļi:

- A. Pieslēdziet uzlādes staciju maiņstrāvas avotam (11. att.);
- B. Ja viss darbojas, iedegsies zaļš LED signāls;
- C. Ja cilpā kaut kas nav kārtībā, piemēram, vads ir pārrauts vai vada gali nav pietiekamā saskarē ar skavām, iedegsies sarkans LED signāls. Pārlicinieties, ka viss kārtībā un, ja problēma joprojām pastāv, ieskatieties Bieži uzdoto jautājumu sadaļā;

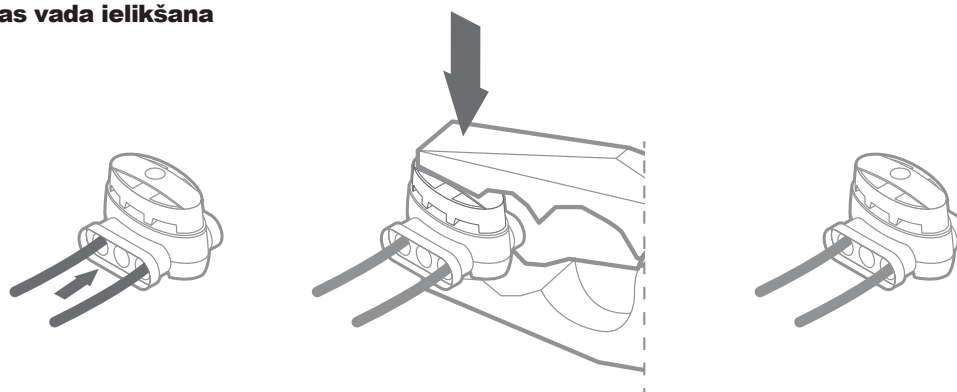


D. Atveriet Landroid aizmuguri un ievietojiet PowerShare akumulatoru tam paredzētajā vietā līdz dzirdams klikšķis (12. att.);
 E. Novietojiet Landroid uzlādei, pārliecinoties, ka ar pamatni ir izveidots stabils kontakts (13. att.). Gaismas diode mirgos zaļā krāsā; kad akumulators ir pilnībā uzlādēts, gaismas diode pārslēgsies uz pastāvīgu zaļu krāsu.



F. Ļaujiet Landroid uzlādēt akumulatoru kādu brīdi. Kamēr akumulators lādējas, varat paņemt nopelnīto pārtraukumu. Izlasiet pārējos norādījumus un savienojiet Landroid ar WI-FI tīklu.

2.3.9 Robežas vada ielikšana



Landroid komplektā ietilpst divi mazi, ūdensizturīgi robežas vada savienotāji. Tos var izmantot šādi:

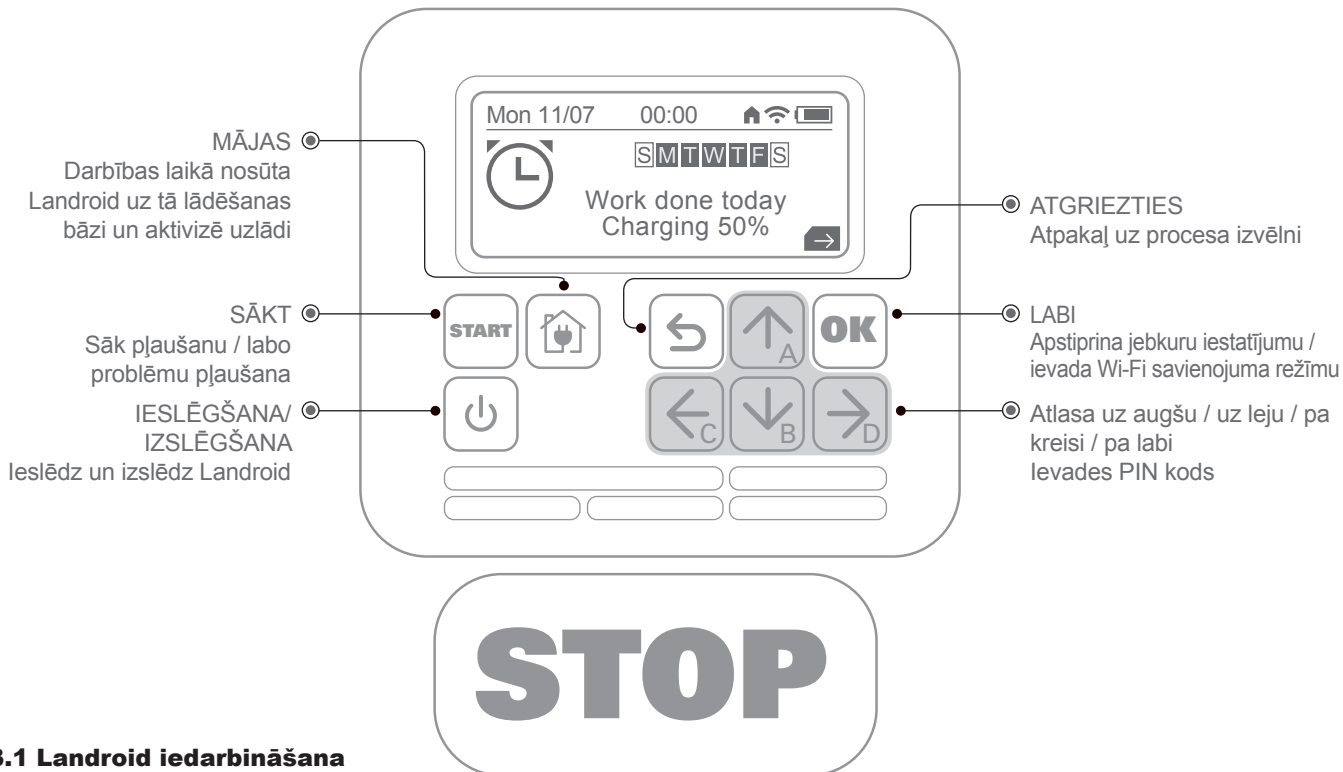
- A. Ja zāliena perimetrs ir ļoti garš un uzstādīšanas pabeigšanai nepieciešams papildu robežas vads. Robežas vada garums nedrīkst pārsniegt 300 m. Tas ir maksimālais robežas vada perimetra garums.
- B. Ja robežas vadu netīšām pārrauj vai pārgriež, to nepieciešams salabot.
- C. Ja nākotnē nolemsiet pārplānot dārzu un būs nepieciešams pārveidot sākotnējo robežas vada izkārtojumu. Savienotāji ir ūdensizturīgi un nodrošina optimālu elektrisko savienojumu.
- D. Ievietojiet abus vada galus jebkuros divos savienotāja caurumos. Nav nepieciešams noņemt vada izolāciju.
- E. Ievietojiet vadus pilnībā līdz abi vada gali redzami otrā savienotāja pusē.
- F. Cieši saspiediet savienotāju, izmantojot knaibles.

⚠ Uzmanību: nav ieteicams vienkārši savīt robežas vadu ar izolācijas lentu vai savienojumam izmantot spaiļu bloku ar skrūvi. Pēc laika var rasties strāvas pārrāvums, jo zeme vadu var oksidēt.

3.TAGAD AIZRAUJOŠĀKĀ DAĻA! IEDARBINIET LANDROID PIRMO REIZI.

Iepazīstieties ar vadības paneli.

Landroid vadības panelis ar savu minimālisma stila dizainu nodrošina galvenās funkcijas. Sarežģītākas funkcijas pieejamas Landroid lietotnē ar plašāku saskarni, ko varat lejupielādēt savā viedtālrunī.



3.1 Landroid iedarbināšana

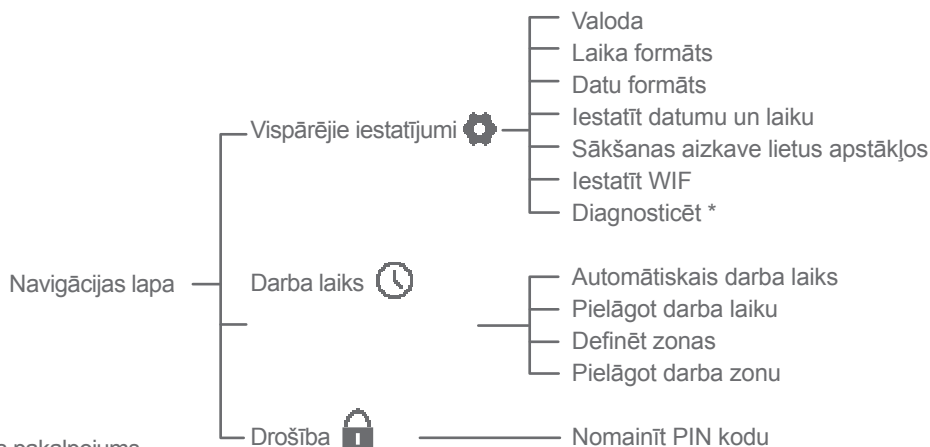
- A. Novietojiet Landroid robežas vada zonas iekšpusē.
- B. Nospiediet ieslēgšanas/ izslēgšanas pogu līdz iedegas ekrāns.
- C. Ievadiet noklusēto PIN kodu AAAA, četras reizes nospiežot taustiņu ↑ (A).Ekrānā parādīsies uzraksts „PIN kods pareizs”..
- D. Nospiediet pogu START un pēc tam OK. Landroid sāks pļaut.
- E. Varat apturēt Landroid jebkurā mirklī, nospiežot pogu STOP.
- F. Lai nosūftu Landroid uz uzlādes staciju, nospiediet pogu HOME un pēc tam OK.

4. LANDROID VADĪBAS PANELIS

Modernas funkcijas iebūvētajā saskarnē

Neraugoties uz tā minimālisma stila dizainu, iebūvētajā vadības panelī varat iestatīt vairākas modernas funkcijas. Lai sasniegtu labākos rezultātus, iesakām izmantot bezmaksas Landroid lietotni, pieņemot, ka tās saskarne ir plašāka un

4.1 Iestatīšana



*Tikai pēcpārdošanas pakalpojums

5. LANDROID SAVIENOŠANA AR INTERNETU

Kādēļ savienot Landroid

Landroid ir IoT (Internet of Things jeb lietiskā interneta) ierīce. Lai izmantotu visu Landroid funkcionalitāti un nodrošinātu, ka ir atjaunināts ar jaunāko programmatūru, plāvēju nepieciešams savienot ar internetu, izmantojot jūsu Wi-Fi tīklu

5.1 PIRMS SĀKAT IZMANTOT LANDROID

5.1.1. Lejuplādējiet lietotni

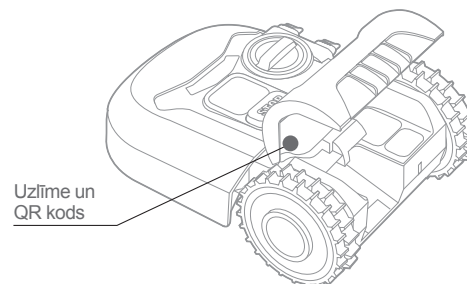
Vispirms lejuplādējiet bezmaksas Landroid lietotni. Tā pieejama Android vai Apple lietotņu veikalos.



5.1.2. Pārliecinieties, ka jums ir:

- A. Jūsu Wi-Fi tīkla parole.
- B. Landroid sērijas numurs: to atradīsiet uz uzlīmes zem dzinēja pārsega iekārtas aizmugurē.

Ja vēlaties ievadīt 20 zīmju sērijas numuru, varat to izdarīt noskenējot QR kodu ar sava viedtālruna kameru.



Uzlīme un QR kods

5.1.3. Pārbaudiet savus Wi-Fi iestatījumus

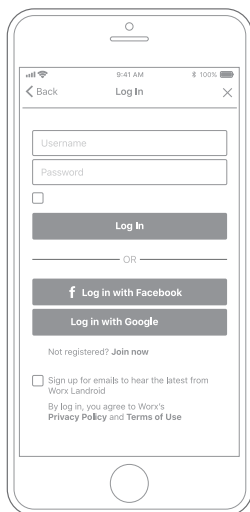
- A. Landroid darbojas ar 2.4 GHz Wi-Fi signālu.
- B. Pārliecinieties, ka Landroid darbojas tajā pašā maršrutētāja vidē kā jūsu viedtālrunis.
- C. Pārliecinieties, ka attālums starp Landroid, viedtālruni un maršrutētāju savienojuma laikā ir, cik vien mazs iespējams.

Padoms: kad Landroid nonāk zāliena zonā, kur Wi-Fi signāls ir vājš vai nav vispār, plāvējs izpildīs no lietotnes nosūtītos norādījumus tikai, kad atgriezīsies zonā, kurā ir pietiekami stiprs signāls.

6.KĀ SAVIENOT LANDROID AR INTERNETU

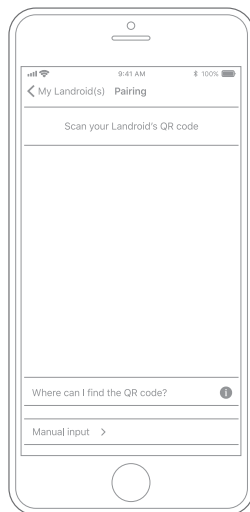
Sāknējiet lietotni un sekojiet norādījumiem.

1. Reģistrējiet savu kontu



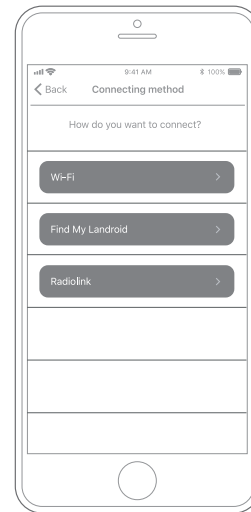
Reģistrējiet savu kontu, ievadot savu lietotājevārdu un paroli vai pierakstoties ar Facebook vai Google.

2. Ievadiet Landroid sērijas numuru



Reģistrējiet savu Landroid, ievadot sērijas numuru manuāli vai noskenējot QR kodu.

3. Izvēlieties savienojumu



Izvēlieties savu Wi-Fi tīklu vai varat savienot Landroid, izmantojot Find My Landroid vai RadioLink .

Ja Wi-Fi nepārklāj visu zālienu, varat apsvērt iespēju iegādāties Landroid RadioLink , kas paplašina signāla pārklājumu līdz pat 300m. Kā alternatīvu variantu varat iegādāties arī Find My Landroid, kas papildu Landroid savienošanai ar internetu ar tajā iebūvētās SIM kartes palīdzību ļauj arī izsekot plāvējam gadījumā, ja to nozog.

7.LANDROID LIETOTNE TĀ NAV VIENKĀRŠI TĀLVADĪBAS PULTS

Neuztveriet to kā tālvadības pulti. Lietotne ir neatņemama Worx Landroid modernās ekosistēmas daļa, kas balstīta uz mākoņdatošanu un mākslīgo intelektu.

Pateicoties lietotnes realitātei pietuvinātajai videi, varat precīzi izmērīt sava zāliena laukumu. Tas ir tikpat vienkārši, kā noiet gar tā robežu.

Kad Landroid ir savienots ar internetu, tas mākonī var piekļūt savām unikālajām automātiskajām darba grafika instrukcijām un lejuplādēt jaunāko programmatūru tādējādi optimizējot savu veiktspēju.

⚠️ ĮSPĖJIMAS Perskaitykite visus saugos įspėjimus ir visus nurodymus. *Nesilaikant visų toliau pateiktų įspėjimų ir nurodymų, galima patirti elektros smūgį, sukelti gaisrą ir (arba) sunkiai susižeisti.*

Atidžiai perskaitykite instrukciją, kurioje aprašyta, kaip saugiai naudoti šį prietaisą. Išsaugokite visus įspėjimus ir nurodymus ateičiai.

1. KAIP VEIKIA „LANDROID“

Šiame skyriuje padėsime jums suprasti, kaip veikia „Landroid“.

„Landroid“ yra autonominė mašina, galinti dirbti savarankiškai. Ji žino, kada turi grįžti prie stotelės ir įkrauti bateriją, jaučia prasidėjusį lietų, sustoja aptikusi gedimą, atsitrenkusi į kelią užtvėrusią kliūtį gali sustoti, važiuoti atgal, apsisukti. Siekiant išvengti nelaimingų atsitikimų „Landroid“ automatiškai sustabdo ašmenų disko sukimąsi pakėlus ją nuo žemės.

1.1 Įsikrauna pati



////////////////////////////////////

Kai „Landroid“ reikės įkrauti, ji nustos pjauti veją ir važiuos sekdamą apribojimo laidą priešinga laikrodžio rodyklei kryptimi iki savo įkrovimo stotelės. Baigus įkrovimą „Landroid“, priklausomai nuo pjovimo tvarkaraščio, automatiškai tęs vejos pjovimą arba pasiliks įkrovimo vietoje.

1.2 Ribų valdymas



////////////////////////////////////

Landroid užprogramuota žolę pjauti palei vejos perimetrą du kartus per savaitę Pirmadieniais ir Penktadieniais. Jei norite pakeisti šį išankstinį nustatymą, galite tai padaryti išmaniuoju telefonu arba valdymo skydelio meniu „Work time-Customise Work time“. Išsamios instrukcijos pateiktos šio vadovo pabaigoje.

1.3 Lietaus jutiklis



////////////////////////////////////

„Landroid“ yra 100 % apsaugota nuo blogo oro, galite ją ramiai palikti lauke. Tačiau pjaunant šlapia žolę rezultatai nebus patys geriausi. „Landroid“ turi lietaus jutiklį, aptinkantį lietų ir nurodantį „Landroid“ nutraukti vejos pjovimą ir grįžti į įkrovimo vietą.

1.4 Laukimas po lietaus



////////////////////////////////////

Po lietaus „Landroid“ atnaujina pjovimą, kai žolė nebebūna šlapia. Numatytasis laukimo po lietaus laikas yra 180 minučių. Šį nustatymą galite pakeisti naudodami „Landroid“ programėlę

1.5 Blogu oru.



Žaibuojant apsaugokite „Landroid“ atjungdami įkrovimo stotelę nuo maitinimo tinklo, atjungdami apribojimo laidą ir patikrindami, ar „Landroid“ uždrausta įsikrauti. Žiemą, o ypač esant itin šaltam orui ir sniegui, rekomenduojame laikyti „Landroid“ patalpoje. Kai kuriose šalyse teikiame techninio aptarnavimo po žiemos sezono paslaugą, kad „Landroid“ būtų paruošta pavasario augimo laikotarpiui. Daugiau informacijos klauskite pardavėjo arba ieškokite mūsų tinklalapyje.

1.6 Nebereikia surinkti nupjautos žolės



„Landroid“ veją pjauna kasdien, todėl nupjautos žolės stiebeliai labai smulkūs, jų nereikia sugrėbti. Ši smulki nupjauta žolė yra puiki trąša vejai. Dažnas pjovimas tankina žolę, veiksmingai saugo nuo piktžolių.

1.7 Pjovimas iki krašto



„Landroid“ M ir L modeliai turi pjovimo iki krašto funkciją. Specialūs paslinkti ašmenys žolę nupjauna kaip įmanoma arčiau vejos pakraščio, kartais net nereikia jų sutvarkyti.

1.8 Pjovimo aukštis



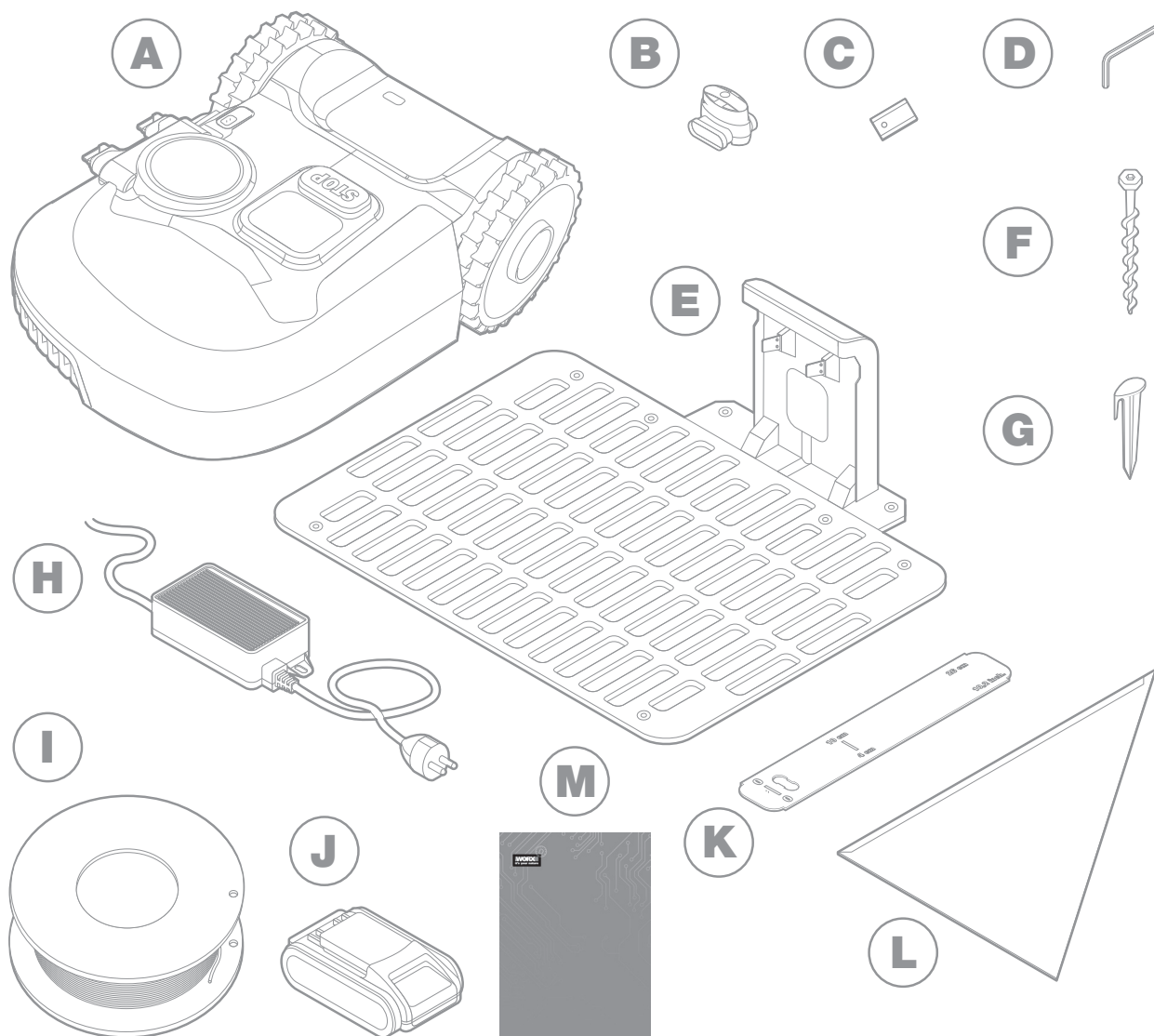
Prieš pirmą kartą įjungiant „Landroid“ patikrinkite, ar žolės aukštis nėra didesnis nei 10 cm. Jei jis didesnis, prieš naudodami „Landroid“, žolę nupjaukite įprasta vejapjove. Je inorite smarkiai sutrumpinti žolę, rekomenduojame tai daryti po truputį, aukštį mažinant pažingsniui.

1.9 Saugumas ir apsauga PIN kodu



Tam, kad „Landroid“ negalėtų naudoti pašaliniai asmenys, ji apsaugota PIN kodu, kurį galite lengvai nustatyti.

DĖŽĖS TURINYS



Paveikslėlis tėra pavyzdys

A Worx Landroid

B Laido taisymo jungtys

C Atsarginių ašmenų komplektai

D Šešiakampis raktas

E Įkrovimo stotelė

F Varžtai

G Laidų smeigtukai

H Maitinimo blokas

I Apribojimo laidas

J 20V baterija

K Apribojimo laido atstumo matuokliai

L „Bertelsen“ liniuotė

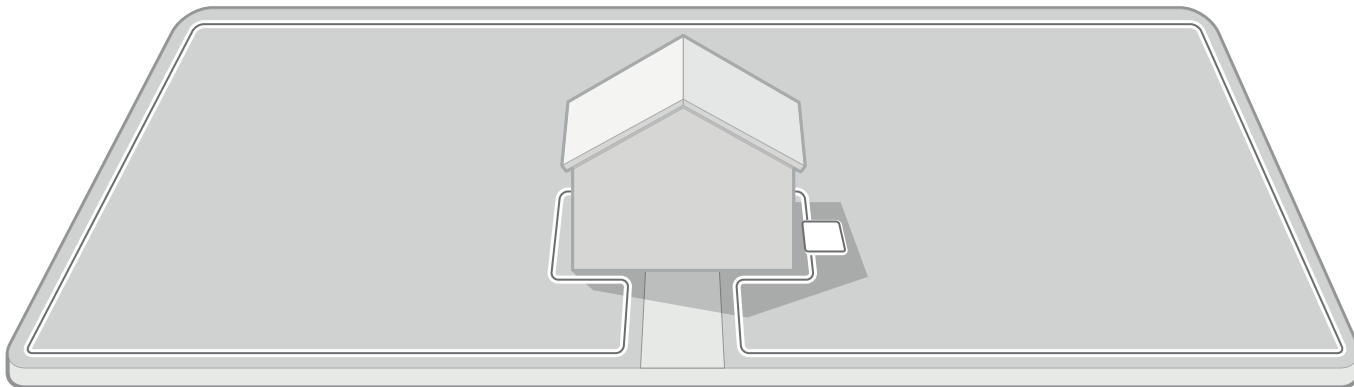
M Manuals

2. ĮRENGIMAS

Savo „Worx Landroid“ paruošite lengviau laikydamiesi čia pateiktų nurodymų. Iš esmės tereikia sumontuoti įkrovimo stotelę ir aplink

veją nutiesti apribojimo laidą. Naudoti galite ne tik šį naudotojo vadovą, bet ir kartu pridamą greitos pradžios vadovą bei peržiūrėti išsamias video pamokas mūsų „YouTube“ kanale*.

* Ši informacija pateikta jūsų patogumui, tačiau ji nepakeičia naudotojo vadovo bei saugumo nurodymų, kuriuos būtina perskaityti ir suprasti.



Apeikite savo veją ir suplanuokite montavimą

Sumontuokite įkrovimo stotelę

Nutieskite apribojantį laidą

Prijunkite įkrovimo stotelę prie KS šaltinio

Įjunkite „Landroid“. Išbandykite ir pasiruoškite pajauti

2.1 KIEKVIENA PLANAVIMUI SKIRTA MINUTĖ LEIS SUTAUPYTI 10 DARBO MINUČIŲ

Montuoti „Landroid“ yra gerokai lengviau, jei aiškiai žinote, ką turite padaryti. Tinkamas planavimas leis išvengti klaidų ar pakartotinio darbo jau atlikus montavimą.

2.1.1 Palikti paviršiuje ar įkasti?

Apribojantis „Landroid“ laidas yra sukurtas taip, kad būtų ant vejos paviršiaus. Nuo pat pirmosios dienos jis bus beveik nepastebimas ir per kelias savaites įlįs į dirvožemį. Jei norite laidą užkasti, pirmiausiai rekomenduojama jį pritvirtinti ir išbandyti „Landroid“ veikimą visame vejos perimetre. Taip galėsite lengvai patikrinti ir, jei reikės, pakeisti išdėstymą prieš užkasant laidą. Laidą užkaskite ne giliau nei keli centimetrai po paviršiumi, kad jo siunčiamas signalas išliktų stiprus.

2.1.2 Suplanuokite įkrovimo stotelės vietą

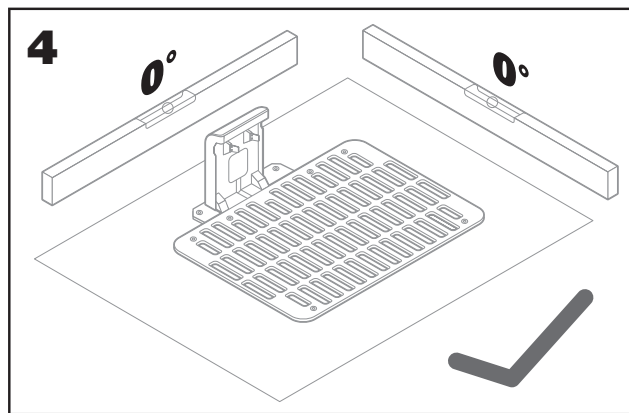
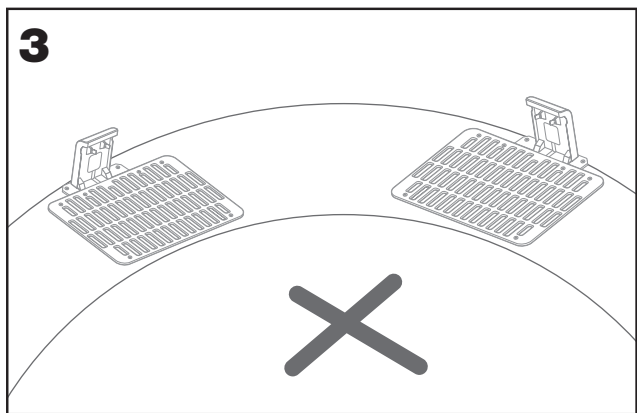
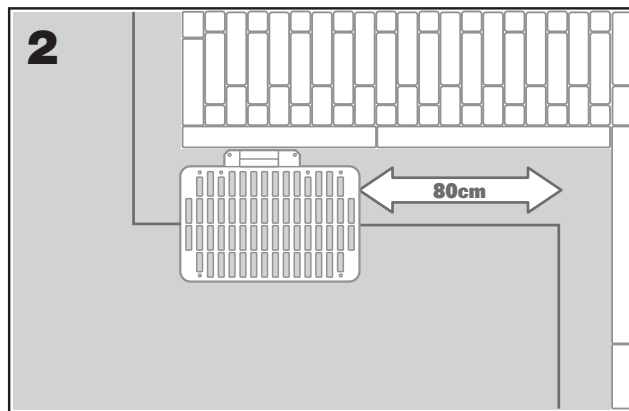
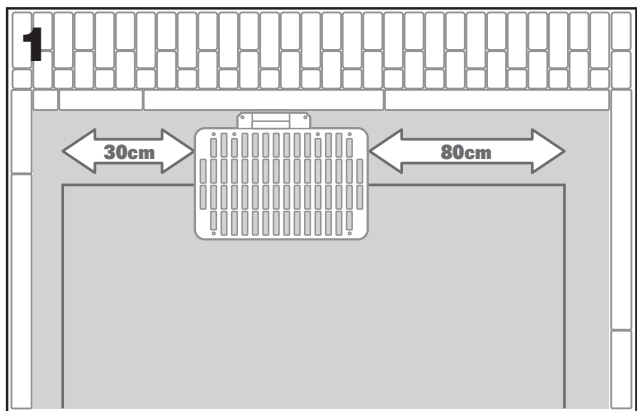
Į įkrovimo stotelę „Landroid“ atvažiuos įsikrauti išsikrovusios baterijos. Tai bus ir stovėjimo vieta, kurioje įrenginys „ilsėsis“ tarp pjovimų.

Suraskite jai tinkamą vietą, atkreipdami dėmesį į toliau nurodytus veiksnius:

- A. stotelei reikalingas maitinimas, tad jos nereikėtų montuoti toliau nei 10m nuo KS maitinimo šaltinio.
- B. Jei įmanoma, pasirinkite pavėsį, kadangi baterijoms ir įkrovikliams kenkia perkaitimas.
- C. Pagrindas turi būti plokščias siekiant užtikrinti gerą susijungimą.
- D. Venkite vietų, esančių greta laistymo purkštuvų.

Įkrovimo stotelę galite statyti ant vejos ar kieto paviršiaus, pvz., takelio, tačiau veja ir kietas paviršius turi būti vienodame aukštyje (jokių laiptelių!).

„Landroid“ reikia bent 80 cm ilgio tiesaus takelio, kad galėtų įvažiuoti į stotelę. Išvažiavimo pusėje įrenginiui reikia bent 30 cm tiesaus takelio, jei po to yra posūkis į kairę (1 pav.). Jei posūkis yra į dešinę, tiesaus takelio nereikia (2 pav.)

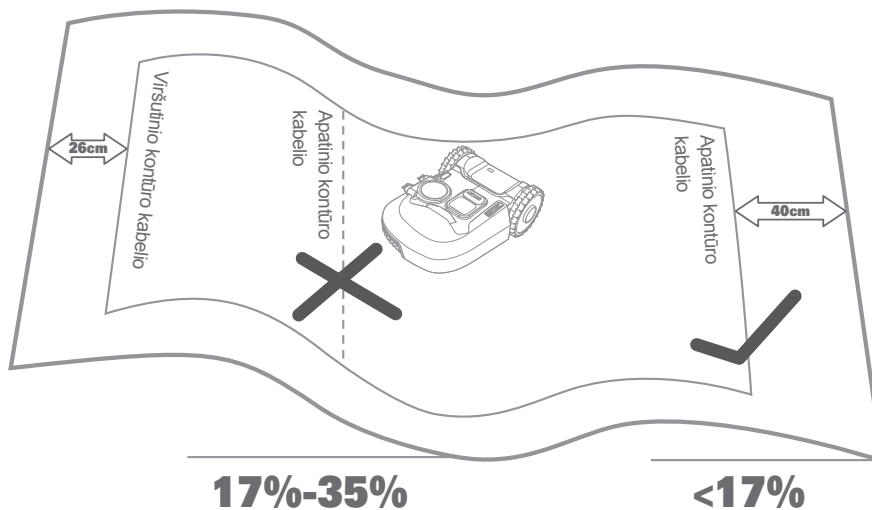


2.1.3 Įkrovimo stotelės reikalavimų sąrašas:

- A. Netoli KS šaltinio.
- B. Pavėsyje.
- C. Tiesus įvažiavimo takas, tiesus išvažiavimo takas (jei reikia)
- D. Plokščias paviršius.
- E. Šalia nėra laistymo purkštuvų.

2.1.4 Kontūro kabelio tiesimas šlaituose

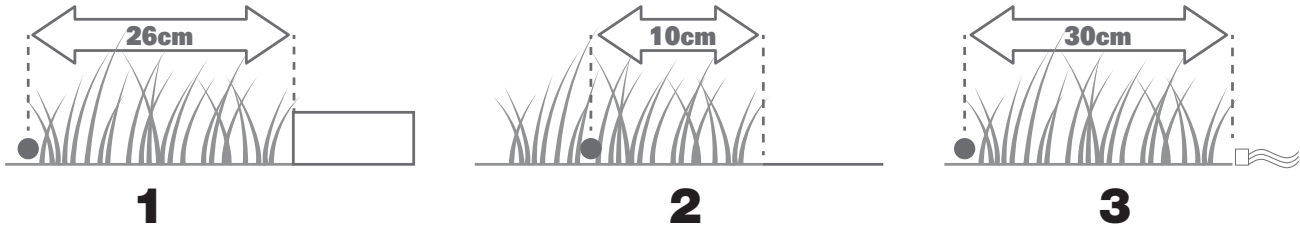
Viršutinio kontūro kabelio **NEGALIMA** tiesti statėsiuose nei 35 % (20°) šlaituose. Apatinio kontūro kabelio **NEGALIMA** tiesti statėsiuose nei 17 % (10°) šlaituose; nutiesus kabelį 17 % statumo šlaitu, iki bet kokios kliūtis privaloma išlaikyti mažiausiai 40 cm atstumą.



2.1.4 Apribojančio laido planavimas

Laidą reikia tiesyti tam tikru atstumu nuo vejos krašto. Atstumas priklauso nuo to, kas yra už vejos krašto. Įvairioms vejos dalims gali reikėti skirtingų sprendimų:

- A. Jei vejos pakraštys užsibaigia laipteliu: laidas turi būti 26 cm atstumu nuo krašto. (1 pav)
- B. Jei vejos pakraštys užsibaigia tokio pat aukščio takeliu: laidas turi būti 10 cm atstumu nuo krašto. (2 pav)
- C. Jei vejos kraštas ribojasi su tvenkiniu: išlaikykite bent 30 cm atstumą iki krašto. (3 pav.)



Jei vejos kraštas ribojasi su kaimynų veja, kurioje naudojama automatinė žoliapjovė, kabelį nutieskite bent 1 m atstumu nuo kaimyno kabelio, kad nekiltų trukdžių.

2.2 APEIKITE SAVO VEJĄ

„Landroid“ sukurtas taip, kad susitvarkytų ir su sudėtingiausią formų veja. Apžiūrėkite savo veją, kad pasiruoštumėte klandžiam apribojančio laido tiesimui.

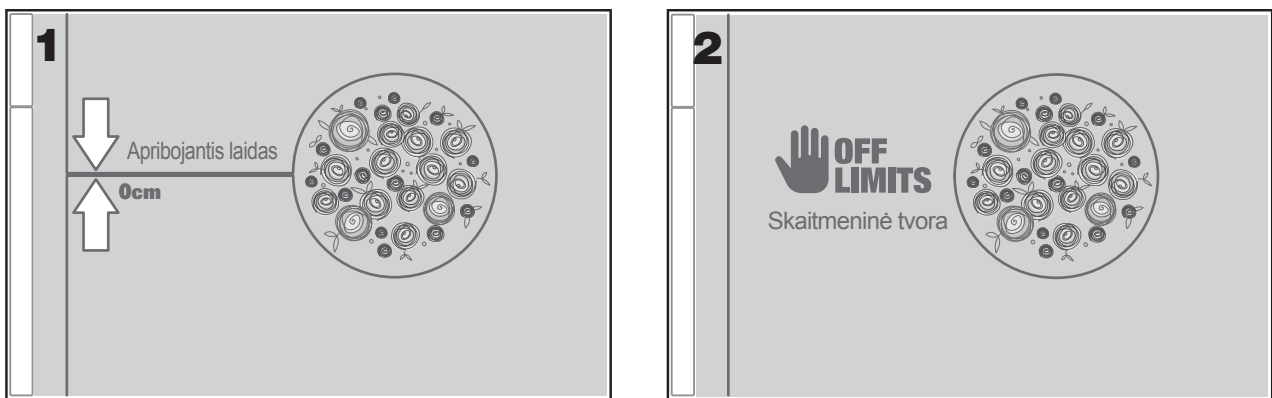
2.2.1 Nustatykite draudžiamas vietas

Jūs tikrai nenorite, kad jūsų automatinė žoliapjovė nušienautų gėles, medžių sodinukus, įvažiuotų į baseinėlį. Nustatykite tokias vietas ir pjuoskite jas apribojančiu laidu, kad „Landroid“ negalėtų į jas patekti.

Apribojantis laidas yra vientisa kilpa, kurios abu galai prijungti prie įkrovimo stotelės. Pradėkite tiesyti nuo krašto, apjuoskite saugomą ibą, tuomet grįžkite atgal, kaip pavaizduota 1 pav.

Jei vietos, kurias norite apsaugoti, yra toli nuo vejos krašto arba norite apsaugoti keletą vietų ar medžio šaknų, toks įprastas būdas žims labai daug laiko.

Puiki alternatyva, kurią galite įsigyti papildomai, yra „Landroid“ funkcija „Off-Limits“. Naudodami ją tiesiog aptversite norimas sritis. „Off-Limits“ skaitmeninė tvora, kurios nereikės prijungti prie apribojančio laido kilpos (2 pav.). „Off-Limits“ skaitmeninė tvora puikiai tinka apsaugoti sezoninę įrangą (pvz., batutą) arba pakeisti vejos apsauginių zonų išdėstymą neperkeliant apribojančio laido. Apribojantis laidas.



2.2.2 Nustatykite kliūtis

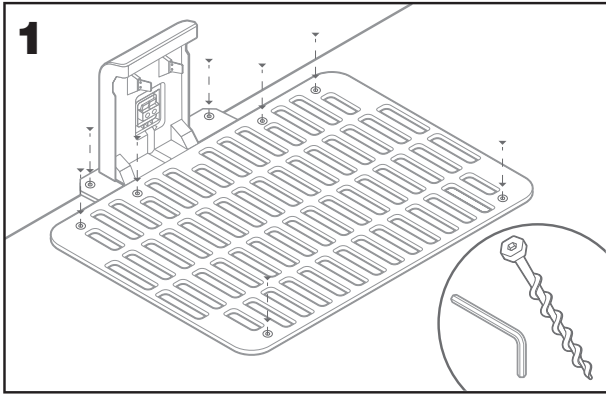
„Landroid“ atsitrenkimų jutiklis susitvarko su tokiomis kliūtimis, kaip medžiai, baldai ir pan., tad jų apjuosti laidu nereikali. Jei jūsų vejoje greta viena kitos yra kelios kliūtys ar medžiai, rekomenduojame įsigyti „Landroid“ ACS funkciją. Tai išmanioji ultragarso agrindu veikianti autopiloto funkcija, leidžianti jūsų „Landroid“ apvažiuoti kliūtis į jas neatsitrenkus.

2.3 PASIRAITOKITE RANKOVES. KĄ PADARYSITE, TĄ IR TURĖSITE!

Dabar, kai kruopščiai suplanavote montavimą, pasiruoškite darbui. Prieš pradėdami paskutinį kartą nupjaukite veją savo senąja ejajove, kad montuoti būtų lengviau.

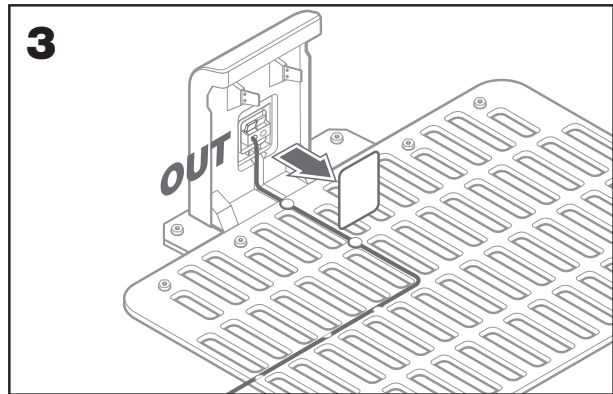
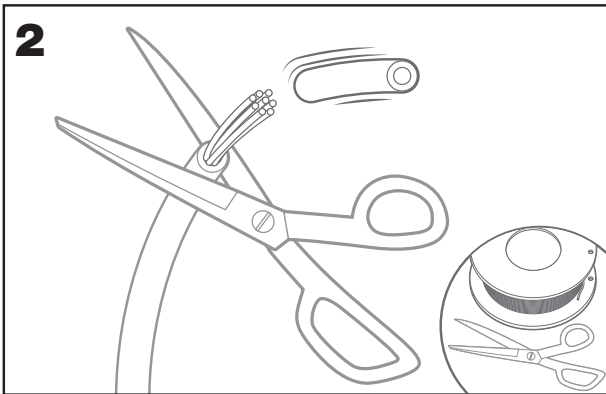
2.3.1 Pasirinktoje vietoje padėkite įkrovimo stotelę.

- A. Naudodami pridėdamus varžtus ir šešiakampis raktas pritvirtinkite pagrindą prie žemės (1 pav.).
- B. Jei pagrindą dėsitate ant kieto paviršiaus, pritvirtinkite jį įstatomais ir prisukamais tvirtinimais (nepridedami).



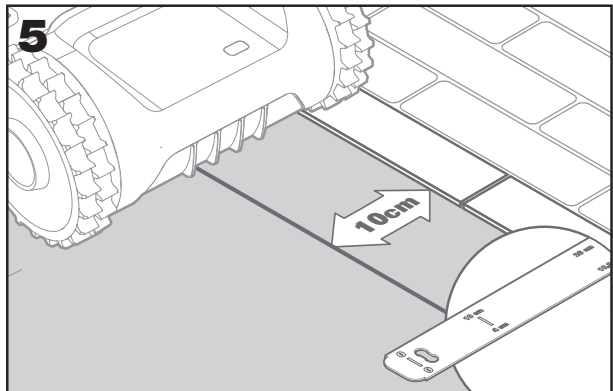
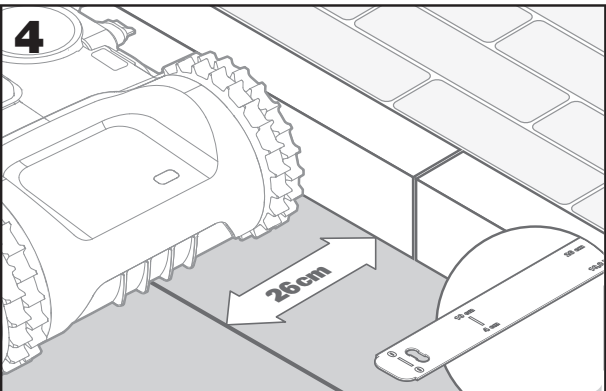
2.3.2 Vieną apribojančio laido galą prijunkite prie įkrovimo stotelės.

- A. Žirkėmis nukirpkite laido galo izoliaciją (2 pav.).
- B. Atidarykite plastikinės durelės ir įstatykite apnuogintą laido galą į kairįjį raudoną gnybtą (3 pav.).
- C. Prakiškite laidą pro pagrindo griovelį, kaip parodyta 3 pav.



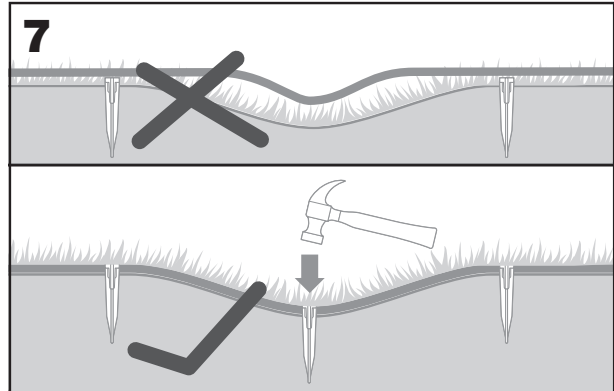
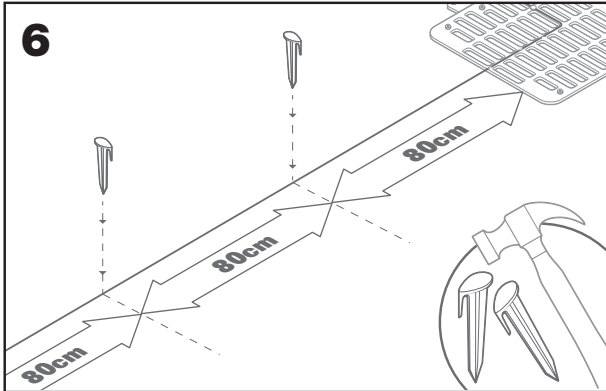
2.3.3 Apjuoskite veją apribojančiu laidu.

- A. Pridėdamais atstumo matuokliais nustatykite laido atstumą nuo vejos krašto.
- B. Jei vejos pakraštyje yra laiptelis, laido atstumas nuo jo turi būti 26 cm (4 pav.).
- C. Jei laiptelio nėra, laido atstumas nuo krašto turi būti 10 cm (5 pav.).



2.3.4 Pritvirtinkite laidą prie žemės smeigtukais.

- A. Atstumas tarp smeigtukų turi būti maždaug 80 cm (6 pav.)
- B. Laidas visuomet turi būti ant žemės (7 pav.).

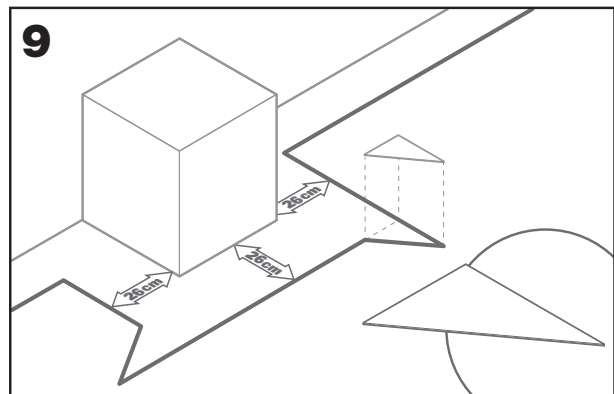
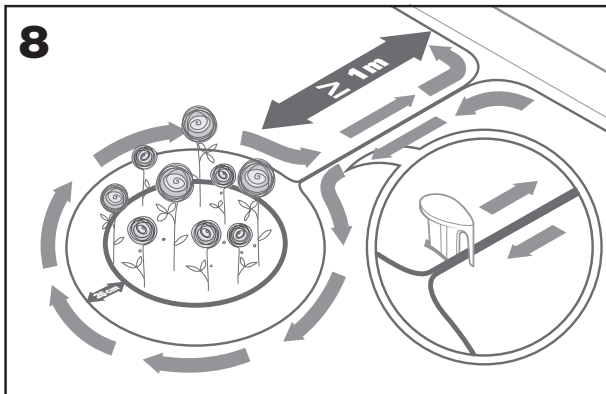


2.3.5 Jei reikia, suformuokite saleles.

- A. Apsaugokite gėlynus, baseinėlius, medžių šaknis ir kitas vietas apjuosdami jas apribojančiu laidu.
- B. Nuo vejos krašto iki norimos apsaugoti vietos laidą tieskite stačiu kampu.
- C. Apjuoskite plotą laidu išlaikydami 26 cm atstumą, kol užbaigsite salelę.
- D. Laidą visuomet tieskite pagal laikrodžio rodyklę. Nesilaikant šio nurodymo vejapjovė įvažiuos į saugomą vietą.
- E. Grįžkite prie vejos krašto tuo pačiu keliu.

2.3.6 „Bertelsen“ būdas: kaip suformuoti idealius 90 ° kampus su vejos kraštu.

Jei į veją reikia pasukti 90 laipsnių kampu, naudokite „Bertelsen“ liniuotę, kad „Landroid“ galėtų atlikti idealius posūkius (taip pat švengsite pavojaus „Landroid“ besisukant užkliudyti kliūtį ar vejos kraštą).

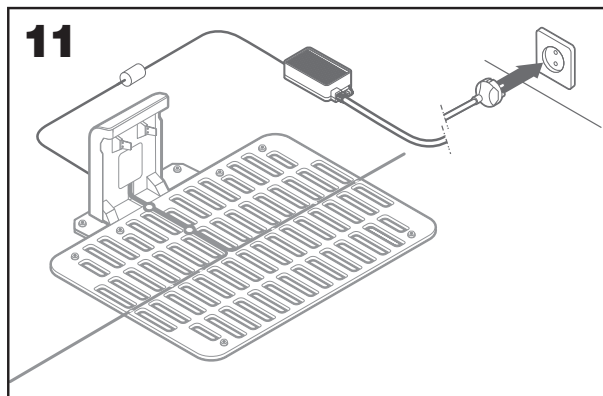
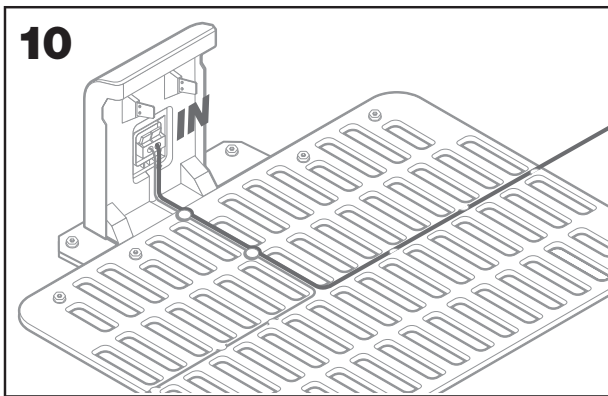


2.3.7 Užbaikite kilpą

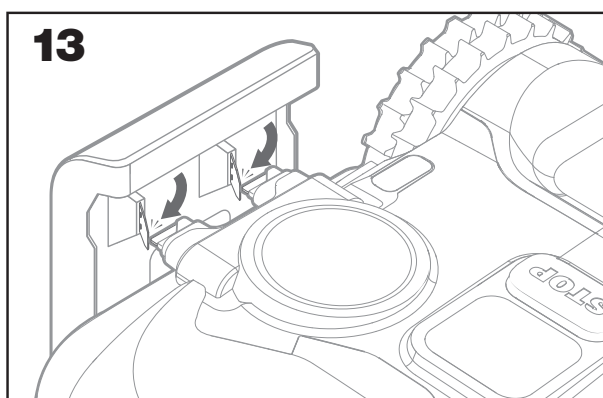
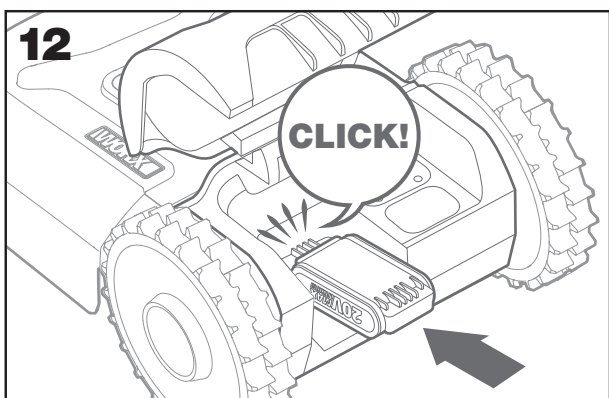
- Baigus tiesyti laidą vejos pakraščiu sugrįžite prie įkrovimo stotelės.
- A. Praveskite laidą pagrindo kanalu iki gnybto (10 pav.).
 - B. Nukirpkite laido perteklių žirkklėmis, nuo jo galo nupjaukite izoliaciją.
 - C. Neizoliuotą galą įkiškite į juodą dešinį gnybtą.

2.3.8 Galutiniai žingsniai

- Nuobodžioji dalis baigta! Liko tik keletas žingsnių.
- A. Prijunkite įkrovimo stotelę prie KS lizdo (11 pav.).
 - B. Jei viskas gerai, LED švies žaliai
 - C. Jei kilpoje yra gedimas, pvz., laidas nutrūkęs ar netinkamai įstatytas į gnybtą, LED švies raudonai. Patikrinkite, ar viskas tvarkinga, jei gedimo pašalinti nepavyksta, skaitykite DUK.

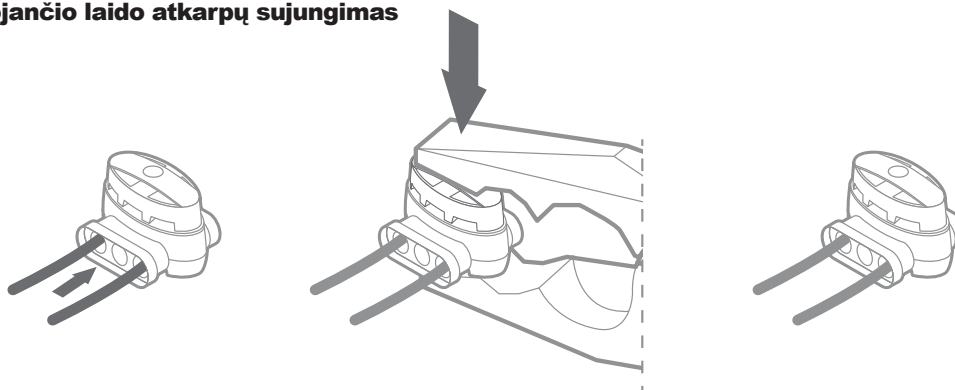


- D. Atidarykite galinę „Landroid“ dalį ir į lizdą įstatykite „PowerShare“ bateriją, kad pasigirstų spragtelėjimas (12 pav.)
 E. Padėkite „Landroid“ ant įkrovimo bloko ir įsitikinkite, kad jis tvirtai prisijungė prie bloko (13 pav.). Mirksės žalias šviesos diodas; kai akumuliatorius bus įkrautas, šviesos diodas pradės šviesti žaliai.



- F. Leiskite „Landroid“ kurį laiką įkrauti bateriją. Įkrovimo metu galite pailsėti – susipažinti su kitais nurodymais, prijungti „Landroid“ prie savo „Wi-Fi“ tinklo.

2.3.9 Aprubojančio laido atkarpų sujungimas



„Landroid“ komplekte yra du nedideli vandens nepraleidžiantys aprubojančio laido jungikliai. Juos galima naudoti šiais tikslais:

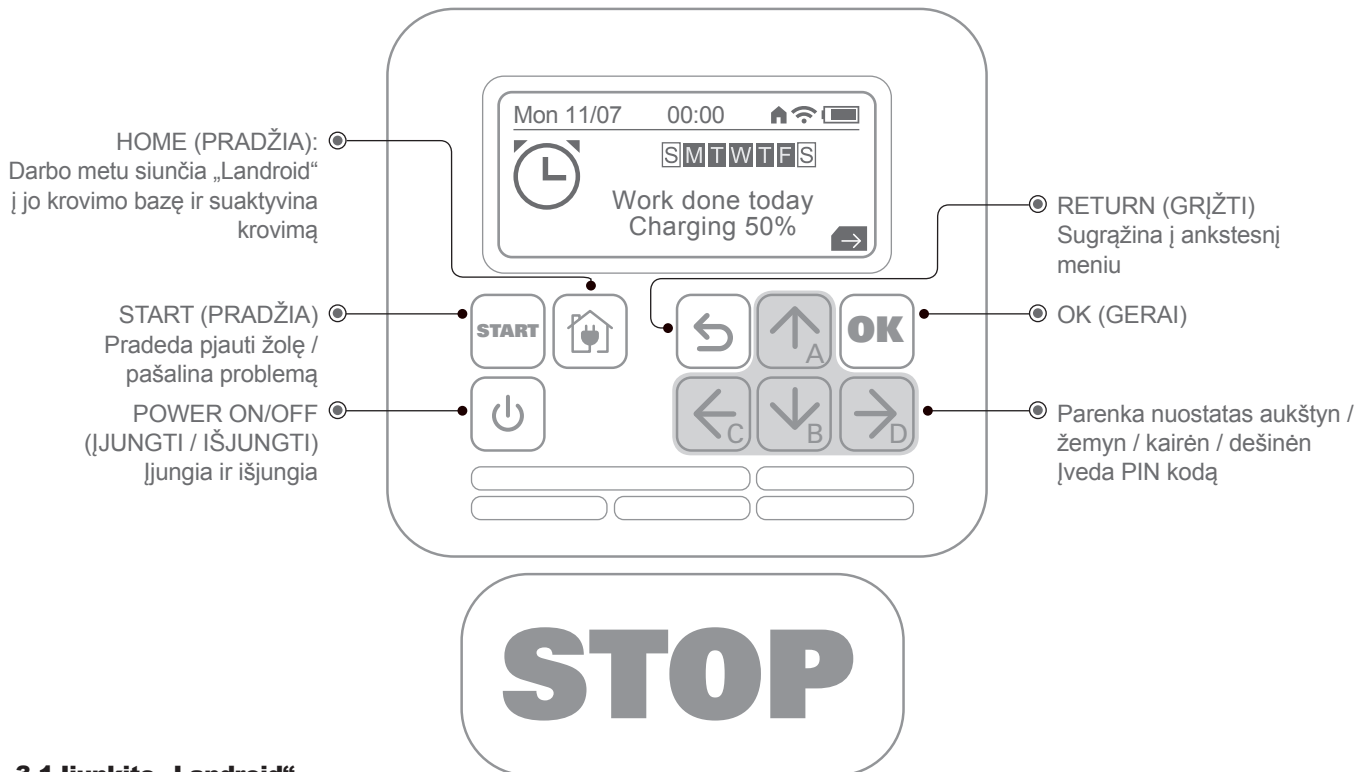
- A. Jei jūsų vejos perimetras yra labai didelis ir jai apriboti reikiama naudoti papildomą laidą. Laido ilgis negali viršyti 300 m, kadangi tai didžiausias leistinas aprubojančio laido ilgis.
- B. Jei netyčia nupjovėte laidą ir turite jį sutaisyti.
- C. Jei nusprendėte pertvarkyti sodą ir norite pakeisti pradinį laido išdėstymą. Jungtys nepraleidžia vandens, užtikrina optimalų sujungimą.
- D. Abu laido galus įkiškite į bet kurias dvi iš trijų jungties angų. Laidų izoliacijos nuimti nereikia.
- E. Laidus įkiškite giliai, kad jų galai matytųsi iš kitos jungties pusės.
- F. Replėmis tvirtai užspauskite jungtį.

⚠ Dėmesio: nerekomenduojama tiesiog sujungti laido ir apvynioti izoliacine juosta arba sujungimui.

3. DABAR SMAGIOJI DALIS! ĮJUNKITE „LANDROID“ PIRMĄ KARTĄ.

Susipažinkite su valdymo skydeliu

„Landroid“ valdymo skydelyje valdymo funkcijos pateiktos minimalistiniu dizainu. Pažangesnės funkcijos valdomos naudojant nemokamą „Landroid“ programėlę jūsų išmaniajame telefone.



3.1 Įjunkite „Landroid“

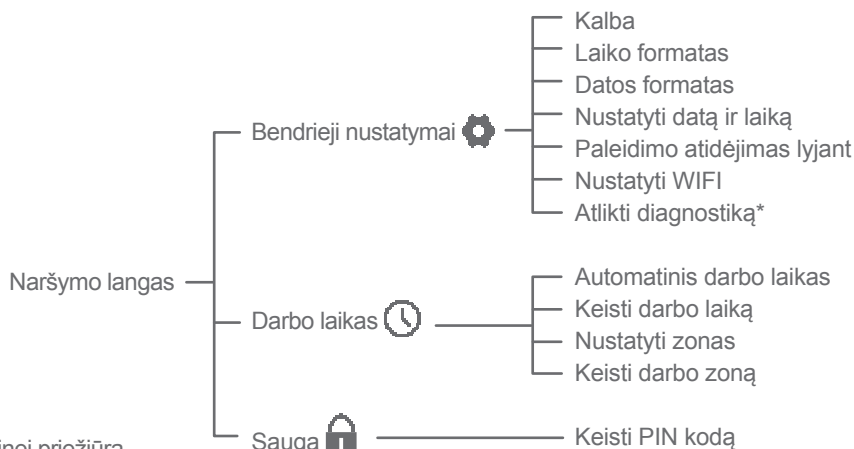
- Pastatykite „Landroid“ laidu apribotame plote.
- Paspauskite įjungimo / išjungimo mygtuką ir palaikykite, kol įsijungs ekranas.
- Įveskite numatytąjį PIN AAAA paspausdami mygtuką ↑ (A) keturis kartus. Ekrane rodoma „PIN code OK“
- Paspauskite mygtuką START, tuomet – OK. „Landroid“ pradės pjauti.
- „Landroid“ galite bet kada sustabdyti paspausdami mygtuką STOP.
- Norėdami pasiūsti „Landroid“ į įkrovimo stotelę paspauskite namų mygtuką, tuomet OK.

4. „LANDROID“ VALDYMO SKYDELIS

Pažangesios funkcijos naudojant integruotąją sąsają

Nepaisant minimalistinio dizaino naudodami valdymo skydelį galite nustatyti keletą pažangių funkcijų. Tačiau geriausią valdymo patirtį užtikrina nemokama „Landroid“ programėlė, turinti gerokai išsamesnę ir intuityvesnę sąsają.

4.1 Nustatymas



*Tik garantinei techninei priežiūrai

5. „LANDROID“ PRIJUNGIMAS PRIE INTERNETO

Kodėl reikia prijungti „Landroid“

„Landroid“ yra „IoT“ („Internet of Things“ – daiktų internetas) įrenginys. Norėdami pasinaudoti visomis „Landroid“ funkcijomis ir išuomet turėti naujausią programinę įrangą, prijunkite jį prie interneto „Wi-Fi“ tinklu.

5.1 PRIEŠ PRADEDANT

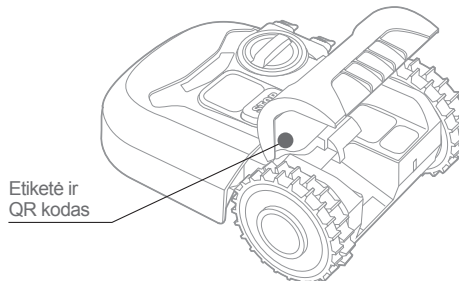
5.1.1 Atsisiųskite programėlę

Pirmiausia atsisiųskite nemokamą „Landroid“ programėlę. Gaukite ją iš „Android“ arba „Apple“ rogramėlių parduotuviės.



5.1.2 Patikrinkite, ar turite:

- A. Savo „Wi-Fi“ tinklo slaptažodį.
- B. „Landroid“ serijos numeris: jį galite rasti ant etiketės po galiniu įrenginio gaubtu. Jei nenorite įvesti 20 skaitmenų serijos numerio, galite tai padaryti nuskaitydami QR kodą savo išmaniojo telefono kamera



5.1.3 Patikrinkite savo „Wi-Fi“ nustatymus

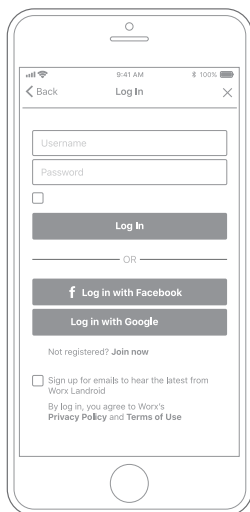
- A. „Landroid“ veikia naudodamas 2,4GHz „Wi-Fi“ signalą
- B. Patikrinkite, ar „Landroid“ yra toje pačioje maršruto parinktuvo aplinkoje kaip ir jūsų išmanusis telefonas
- C. Patikrinkite, ar atstumas tarp jūsų „Landroid“, išmaniojo telefono ir maršruto parinktuvo ryšio metu yra kaip galima mažesnis

Patarimas: kai „Landroid“ pajuda į jūsų vejos teritoriją su prastu „Wi-Fi“ signalu ar ten, kur jo nėra, iš programėlės siųstus nurodymus „Landroid“ įvykdys tik grįžęs į vietą su geru signalu.

6. KAIP PRIJUNGTI „LANDROID“ PRIE INTERNETO

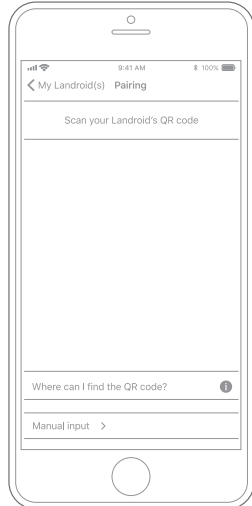
Jjunkite programėlę ir atlikite toliau nurodytus veiksmus..

1. Užregistruokite savo paskyrą



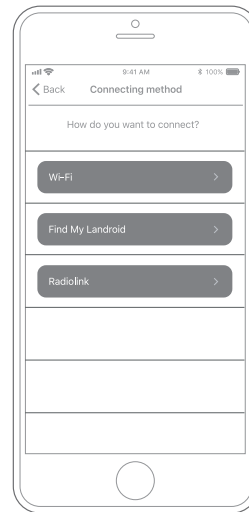
Užregistruokite savo paskyrą įvesdami naudotojo vardą ir slaptažodį arba prisijungdami per „Facebook“ ar „Google“.

2. Įveskite „Landroid“ serijos numerį



Užregistruokite savo „Landroid“ įvesdami serijos numerį ranka arba nuskaitydami QR kodą.

3. Pasirinkite ryšį



Pasirinkite savo „Wi-Fi“ tinklą arba prijunkite savo „Landroid“ naudodami „Find My Landroid“ arba „RadioLink“ parinktį.

Jei jūsų „Wi-Fi“ ryšys nepadengia viso vejos ploto, įsigykite „Landroid“ „RadioLink“ parinktį, išplečiančią signalo aprėptį iki 300m. Taip pat galite įsigyti „Find My Landroid“ parinktį, kuri leidžia prijungti „Landroid“ prie interneto naudojant vidinę SIM kortelę, taip pat leidžia sekti įrenginį vagystės atveju.

7. „LANDROID“ PROGRAMĖLĖ NE VIEN NUOTOLINIO VALDYMO PULTAS

Negalvokite apie ją kaip apie nuotolinio valdymo pultą. Programėlė yra neatsiejama „Worx Landroid“ pažangios sistemos, pagrįstos

debesų kompiuterija ir dirbtiniu intelektu, dalis.

Naudodami programėlės išplėtosios realybės funkciją galite tiksliai išmatuoti savo vejos plotą. Tai taip pat paprasta, kaip apeiti jos ribas..

Prisijungusi „Landroid“ gali pasiekti savo unikalias instrukcijas iš interneto debesies ir atsisiųsti naujausią programinę įrangą savo veiklai optimizuoti.

